

# 3L DMV Series 50-250W For Combustible Dusts

Champ® H.I.D. Luminaires

Cl. I, Div. 2, Groups A, B, C, D  
Restricted Breathing Cl. I, Div. 2  
& Zone 2 (Suffix S826)  
Certified for IEC Zone 2  
(Suffix S826TB)

Cl. II, Groups E, F, G; Cl. III &  
Simultaneous Presence  
(175W max)  
Marine & Wet Locations  
3, 3R, 4, 4X; IP66

## Applications:

DMV series *Champ* luminaires are used:

- In applications made hazardous by the presence of combustible dusts
- In areas in which ignitable concentrations of flammable gases or vapors will be present only due to abnormal, unusual, or accidental conditions
- In marine applications where water spray and corrosive atmospheres are considerations
- In areas where combustible dusts and flammable vapors are present simultaneously
- In elevated ambient temperatures often found in industrial applications
- In installations where moisture, dirt, dust, vibration, corrosion and rough usage are problems
- Wherever the damaging effects of wind, snow, sleet, or hot sun are found
- In grain handling, storage and processing plants, coal preparation plants, coal conveying areas, food processing plants, manufacturing plants, refineries, chemical, petrochemical, and other industrial process facilities, waste or sewage treatment facilities, offshore, dockside, and harbor installations, and other heavy industrial applications

## Features:

- Cast copper-free aluminum construction (less than 0.4 of 1% copper) and epoxy powder finish provide excellent resistance to corrosion.
- Seven mounting arrangements to suit any lighting layout – pendant, flexible pendant, ceiling, wall bracket, angle stanchion, straight stanchion, and quad-mount.
- Wide range of light sources and wattages to meet specifiers' needs: 50, 70, 100, 150 watt high pressure sodium (HPS); 70, 100, 175, 250 watt metal halide.
- Hinged ballast housing for ease of installation and maintenance.
- All luminaires designed to perform in a 40°C ambient temperature. Selected luminaires are suitable for ambient temperatures up to 65°C.
- Superior gasketing seals between the mounting module, housing, and optical assembly for optimum performance in wet and corrosive environments.
- Hubs with an integral conduit stop and bushing to help prevent damage to field wiring during installation.
- Low ambient capability to (-40°C.)
- Dome and 30° angle reflectors made of bright white *Krydon*® material provide superior reflectivity, with twist-on feature requiring no tools or additional hardware. Will not chip, peel, dent, rust, or corrode.
- Mogul base porcelain lamp socket.
- Stainless steel open bottom guard permits direct access to the globe for easy relamping.



- Grounding wire for safety.
- Ballasts available in voltages of 120, 208, 240, 277, 347, 480, 600 and multi-tap.\*

## Certifications and Compliances:

- NEC/CEC:
  - Class I, Division 2, Groups A, B, C, D
  - 175W max – Class II, Class III & Simultaneous Presence (Class I, Division 2 and Class II)
  - Class I, Zone 2
- IEC:
  - Zone 2 Ex nR IIC
- UL Standards:
  - 844 Hazardous (Classified) Locations
  - 1598 Luminaires
  - 1598A Marine Locations
- CSA Standards:
  - C22.2 No. 137
- IEC Standards:
  - 60079-15

## Standard Materials:

- Ballast housings and mountings – copper-free aluminum (less than 0.4 of 1% copper)
- Guard and exterior hardware – stainless steel
- Reflectors (dome and angle) – *Krydon* fiberglass-reinforced polyester material
- Globes – heat and impact resistant, internally fluted glass

## Standard Finishes:

- Copper-free aluminum – epoxy powder coat
- *Krydon* material – high reflectance white
- Stainless steel – natural

## Electrical Ratings:

- 120, multi-tap\* (120, 208, 240 and 277), tri-tap (120, 277, 347) 480, 600 volts
- 50–250W HPS; 70–250W MH

## Options:

The following special options are available from the factory by adding suffix to luminaire Cat. No.:

Description	Suffix
• Restricted Breathing Construction... Class I, Division 2 & Zone 2 Suitability Cooler Operating Temperatures (T-Numbers)	<b>S826</b>
• Restricted Breathing/Non-Sparking Class I, Division 2 & Zone 2 Provides T3 code without conduit or cable seals	<b>S865</b>
• Certified for IEC Zone 2.....	<b>S826TB</b>
• Furnished with terminal block, crimp terminals and dedicated voltage ballasts (no MT, DT or TT)	
• Fused – to protect ballast and capacitors against abnormal line conditions.....	<b>S658*</b>
(Not available with /MT Ballast) (Not for use in Canada) (Not suitable for marine applications)	
• Quick-Clip - Holds weight of housing when closed. No need to support luminaire while screwing the housing to the cover.....	<b>S890</b>
• Ballast-Gard™ starter cut-out switch – prevents starter pulsing when lamp is cycling or inoperative; prolongs ballast and ignitor life. Available for use with 50–150W LX HPS only.....	<b>BG</b>
• Instant restrike – enables a hot HPS lamp to immediately restrike after a momentary loss of arc due to voltage fluctuation or power outage. It has no effect on the warm-up period of cold lamps. Available for use with 50–150W LX HPS only.....	<b>IR</b>
• Quartz auxiliary lighting – comes to full brightness immediately and remains lit until the HID lamp attains 60–70% of full illumination. For non-hazardous locations only. (Note: QTZ lamp not included; use 100W single ended lamp – Q100DC, Q100CL/DC, or 100Q/CL/DC) Consult factory for top-hat limitations.....	<b>QTZ</b>
• Factory assembled with H.I.D. lamps installed for additional labor savings.....	<b>FA</b>
• TEFLON® coated globe for additional protection against breakage. For use with 50–150W HPS and 70–175W MH (G303 only)..	<b>S808</b>
<b>Note:</b> Some T-numbers (operating temperatures) change. See "Temperature Performance Data" section.	
• Stainless steel insert – top hat with stainless steel threaded insert to attach ballast housing.....	<b>S806</b>
<b>Note:</b> BG and IR options cannot be used together. IR and QTZ options cannot be used together.	

## Accessories:

- See pages 977–978 for complete listing.

TEFLON is a registered trademark of E.I. duPont Co.  
\*When ordering fuses for luminaires, option S658, you  
must specify the operating voltage. S658 cannot be  
ordered with /MT in the catalog number.

# DMV Series 50-150W High Pressure Sodium


**For Combustible Dust Applications**  
**Champ® H.I.D. Luminaires**

Cl. I, Div. 2, Groups A, B, C, D  
Restricted Breathing Cl. I, Div. 2  
& Zone 2 (Suffix S826)  
Certified for IEC Zone 2 (Suffix  
S826TB)

Cl. II, Groups E, F, G; Cl. III  
& Simultaneous Presence  
Marine & Wet Locations  
3, 3R, 4, 4X; IP66

**3L**

To complete the catalog #, include information in notes 1, 2 and 3 below. For guards and other optics see DMV Series - Ordering By Components page.

Mounting Style	Hub Size	Lamp Watts	BASIC CATALOG NUMBER	
			With G303 Globe and P33 Guard	With GR305 Glass Refractor *
	3/4	50	DMVS2A050GP	DMVS2A050GR305
		70	DMVS3A050GP	DMVS3A050GR305
	1	50	DMVS2A070GP	DMVS2A070GR305
		70	DMVS3A070GP	DMVS3A070GR305
	3/4	100	DMVS2A100GP	DMVS2A100GR305
		150	DMVS3A100GP	DMVS3A100GR305
Flexible Pendant Mount	3/4	50	DMVS2HA050GP	DMVS2HA050GR305
	3/4	70	DMVS2HA070GP	DMVS2HA070GR305
	3/4	100	DMVS2HA100GP	DMVS2HA100GR305
	3/4	150	DMVS2HA150GP	DMVS2HA150GR305
Ceiling Mount Thru-Feed	3/4	50	DMVS2C050GP	DMVS2C050GR305
		70	DMVS3C050GP	DMVS3C050GR305
	1	50	DMVS2C070GP	DMVS2C070GR305
		70	DMVS3C070GP	DMVS3C070GR305
	3/4	100	DMVS2C100GP	DMVS2C100GR305
		150	DMVS3C100GP	DMVS3C100GR305
Wall Mount Thru-Feed	3/4	50	DMVS2TW050GP	DMVS2TW050GR305
		70	DMVS3TW050GP	DMVS3TW050GR305
	1	50	DMVS2TW070GP	DMVS2TW070GR305
		70	DMVS3TW070GP	DMVS3TW070GR305
	3/4	100	DMVS2TW100GP	DMVS2TW100GR305
		150	DMVS3TW100GP	DMVS3TW100GR305
Quad-Mount Pendant, Adjustable Thru-Feed, 25° Angle, 12 1/2° Angle	3/4	50	DMVS25Q050GP	DMVS25Q050GR305
	3/4	70	DMVS25Q070GP	DMVS25Q070GR305
	3/4	100	DMVS25Q100GP	DMVS25Q100GR305
	3/4	150	DMVS25Q150GP	DMVS25Q150GR305
Stanchion Mount 25° Angle	1 1/2	50	DMVSJ050GP	DMVSJ050GR305
	1 1/2	70	DMVSJ070GP	DMVSJ070GR305
	1 1/2	100	DMVSJ100GP	DMVSJ100GR305
	1 1/2	150	DMVSJ150GP	DMVSJ150GR305
Stanchion Mount Straight	1 1/2	50	DMVSP050GP	DMVSP050GR305
	1 1/2	70	DMVSP070GP	DMVSP070GR305
	1 1/2	100	DMVSP100GP	DMVSP100GR305
	1 1/2	150	DMVSP150GP	DMVSP150GR305

\* For GR302 Type II Refractor, change "GR305" at end of catalog number to "GR302". Ex. DMVS2A050GR302  
For GR303 Type III Refractor, change "GR305" at end of catalog number to "GR303". Ex. DMVS2A050GR303

1. Add voltage suffix to end of catalog number  
Standard Voltage Ballasts - 60Hz

Voltage Suffix	NEC/UL				CEC/CSA (cUL)			
	Multi Tap /MT	Dual Tap /DT	120V /120	480V /480	Tri Tap /TT	Dual Tap /DT	120V /120	
Optional Voltage Ballasts - 50 or 60Hz								
Voltage Suffix	CEC/CSA (cUL) - CWI Isolated Ballasts				EXPORT			
	208V CWI /208CWI	240V CWI /240CWI	480V CWI /480CWI	600V CWI /600CWI	220V 60Hz /220	220V 50Hz /220 50	230V 50Hz /230 50	240V 50Hz /240 50

2. 150W HPS Luminaires: For 55V lamps - add suffix LX; for 100V lamps - add suffix CE. 50W HPS luminaire is dual tap only.  
3. Options - Add the required option suffixes, see page 942, in alpha-numeric order.








# 3L DMV Series - 150-250W Pulse Start Metal Halide

**For Combustible Dust Applications  
Champ® H.I.D. Luminaires**

Cl. I, Div. 2, Groups A, B, C, D  
Restricted Breathing Cl. I, Div. 2  
& Zone 2 (Suffix S826)  
Certified for IEC Zone 2  
(Suffix S826TB)

Cl. II, Groups E, F, G; Cl. III &  
Simultaneous Presence  
(175W max)  
Marine & Wet Locations  
3, 3R, 4, 4X; IP66

To complete the catalog #, include information in notes 1 and 2 below. For guards and other optics see DMV Series - Ordering By Components page.

Mounting Style	Hub Size	Lamp Watts	BASIC CATALOG NUMBER	
			With G303 Globe and P33 Guard	With GR305 Glass Refractor *
	3/4	150	DMVM2A150GP S828	DMVM2A150GR305 S828
		1	DMVM3A150GP S828	DMVM3A150GR305 S828
	3/4	175	DMVM2A175GP S828	DMVM2A175GR305 S828
		1	DMVM3A175GP S828	DMVM3A175GR305 S828
	3/4	200	DMVM2A200GP S828	DMVM2A200GR305 S828
		1	DMVM3A200GP S828	DMVM3A200GR305 S828
3/4	250	DMVM2A250GP S828	DMVM2A250GR305 S828	
	1	DMVM3A250GP S828	DMVM3A250GR305 S828	
	3/4	150	DMVM2HA150GP S828	DMVM2HA150GR305 S828
	3/4	175	DMVM2HA175GP S828	DMVM2HA175GR305 S828
	3/4	200	DMVM2HA200GP S828	DMVM2HA200GR305 S828
	3/4	250	DMVM2HA250GP S828	DMVM2HA250GR305 S828
	3/4	150	DMVM2C150GP S828	DMVM2C150GR305 S828
		1	DMVM3C150GP S828	DMVM3C150GR305 S828
	3/4	175	DMVM2C175GP S828	DMVM2C175GR305 S828
		1	DMVM3C175GP S828	DMVM3C175GR305 S828
	3/4	200	DMVM2C200GP S828	DMVM2C200GR305 S828
		1	DMVM3C200GP S828	DMVM3C200GR305 S828
3/4	250	DMVM2C250GP S828	DMVM2C250GR305 S828	
	1	DMVM3C250GP S828	DMVM3C250GR305 S828	
	3/4	150	DMVM2TW150GP S828	DMVM2TW150GR305 S828
		1	DMVM3TW150GP S828	DMVM3TW150GR305 S828
	3/4	175	DMVM2TW175GP S828	DMVM2TW175GR305 S828
		1	DMVM3TW175GP S828	DMVM3TW175GR305 S828
	3/4	200	DMVM2TW200GP S828	DMVM2TW200GR305 S828
		1	DMVM3TW200GP S828	DMVM3TW200GR305 S828
3/4	250	DMVM2TW250GP S828	DMVM2TW250GR305 S828	
	1	DMVM3TW250GP S828	DMVM3TW250GR305 S828	
	3/4	150	DMVM25Q150GP S828	DMVM25Q150GR305 S828
	3/4	175	DMVM25Q175GP S828	DMVM25Q175GR305 S828
	3/4	200	DMVM25Q200GP S828	DMVM25Q200GR305 S828
	3/4	250	DMVM25Q250GP S828	DMVM25Q250GR305 S828
	1 1/2	150	DMVMJ150GP S828	DMVMJ150GR305 S828
		175	DMVMJ175GP S828	DMVMJ175GR305 S828
	1 1/2	200	DMVMJ200GP S828	DMVMJ200GR305 S828
		250	DMVMJ250GP S828	DMVMJ250GR305 S828
	1 1/2	150	DMVMP150GP S828	DMVMP150GR305 S828
		175	DMVMP175GP S828	DMVMP175GR305 S828
	1 1/2	200	DMVMP200GP S828	DMVMP200GR305 S828
		250	DMVMP250GP S828	DMVMP250GR305 S828

\* For GR302 Type II Refractor, change "GR305" at end of catalog number to "GR302". Ex. DMVM2A150GR302-S828  
For GR303 Type III Refractor, change "GR305" at end of catalog number to "GR303". Ex. DMVM2A150GR303-S828

1. Add voltage suffix to end of catalog number  
Standard Voltage Ballasts - 60Hz

Voltage Suffix	NEC/UL			CEC/CSA (cUL)	
	Multi Tap /MT	120V /120	480V /480	Tri Tap /TT	120V /120

Optional Voltage Ballasts - 50 or 60Hz

Voltage Suffix	EXPORT			
	220V 60Hz /220	220V 50Hz /220 50	230V 50Hz /230 50	240V 50Hz /240 50

2. Options - Add the required option suffixes, see page 942, in alpha-numeric order.



# DMV Series 70-250W Metal Halide


**For Combustible Dust Applications**  
**Champ® H.I.D. Luminaires**

Cl. I, Div. 2, Groups A, B, C, D  
Restricted Breathing Cl. I, Div. 2  
& Zone 2 (Suffix S826)  
Certified for IEC Zone 2  
(Suffix S826TB)

Cl. II, Groups E, F, G; Cl. III &  
Simultaneous Presence  
(175W max)  
Marine & Wet Locations  
3, 3R, 4, 4X; IP66

**3L**

To complete the catalog #, include information in notes 1, 2 and 3 below. For guards and other optics see DMV Series - Ordering By Components page.

Mounting Style	Hub Size	Lamp Watts	BASIC CATALOG NUMBER	
			With G303 Globe and P33 Guard	With GR305 Glass Refractor *
	3/4	70	DMVM2A070GP	DMVM2A070GR305
		1	DMVM3A070GP	DMVM3A070GR305
	3/4	100	DMVM2A100GP	DMVM2A100GR305
		1	DMVM3A100GP	DMVM3A100GR305
	3/4	175	DMVM2A175GP	DMVM2A175GR305
		1	DMVM3A175GP	DMVM3A175GR305
Flexible Pendant Mount	3/4	70	DMVM2HA070GP	DMVM2HA070GR305
	3/4	100	DMVM2HA100GP	DMVM2HA100GR305
	3/4	175	DMVM2HA175GP	DMVM2HA175GR305
	3/4	250	DMVM2HA250GP	DMVM2HA250GR305
Ceiling Mount Thru-Feed	3/4	70	DMVM2C070GP	DMVM2C070GR305
		1	DMVM3C070GP	DMVM3C070GR305
	3/4	100	DMVM2C100GP	DMVM2C100GR305
		1	DMVM3C100GP	DMVM3C100GR305
	3/4	175	DMVM2C175GP	DMVM2C175GR305
		1	DMVM3C175GP	DMVM3C175GR305
Wall Mount Thru-Feed	3/4	70	DMVM2TW070GP	DMVM2TW070GR305
		1	DMVM3TW070GP	DMVM3TW070GR305
	3/4	100	DMVM2TW100GP	DMVM2TW100GR305
		1	DMVM3TW100GP	DMVM3TW100GR305
	3/4	175	DMVM2TW175GP	DMVM2TW175GR305
		1	DMVM3TW175GP	DMVM3TW175GR305
Quad-Mount Pendant, Adjustable Thru-Feed, 25° Angle, 12½° Angle	3/4	70	DMVM25Q070GP	DMVM25Q070GR305
	3/4	100	DMVM25Q100GP	DMVM25Q100GR305
	3/4	175	DMVM25Q175GP	DMVM25Q175GR305
	3/4	250	DMVM25Q250GP	DMVM25Q250GR305
Stanchion Mount 25° Angle	1½	70	DMVMJ070GP	DMVMJ070GR305
	1½	100	DMVMJ100GP	DMVMJ100GR305
	1½	175	DMVMJ175GP	DMVMJ175GR305
	1½	250	DMVMJ250GP	DMVMJ250GR305
Stanchion Mount Straight	1½	70	DMVMP070GP	DMVMP070GR305
	1½	100	DMVMP100GP	DMVMP100GR305
	1½	175	DMVMP175GP	DMVMP175GR305
	1½	250	DMVMP250GP	DMVMP250GR305

\* For GR302 Type II Refractor, change "GR305" at end of catalog number to "GR302". Ex. DMVM2A070GR302  
For GR303 Type III Refractor, change "GR305" at end of catalog number to "GR303". Ex. DMVM2A070GR303

1. Add voltage suffix to end of catalog number  
Standard Voltage Ballasts - 60Hz

Voltage Suffix	Multi Tap /MT	NEC/UL		CEC/CSA (cUL)	
		120V /120	480V /480	Tri Tap /TT	120V /120

Optional Voltage Ballasts - 50 or 60Hz

Voltage Suffix	CEC/CSA (cUL) - CWI Isolated Ballasts - 175W and 250W MH only				EXPORT		
	208V CWI /208CWI	240V CWI /240CWI	600V CWI /600CWI	220V 60Hz /220	220V 50Hz /220 50	230V 50Hz /230 50	240V 50Hz /240 50

2. 70W ballast not available in 480V.

3. Options - Add the required option suffixes, see page 942, in alpha-numeric order.



# 3L DMV Series – Ordering by Components

## DMV luminaires are available in components.

A complete luminaire consists of:

- I. Champ Cover (Mounting Module)
- II. DMV Ballast Housing – Include voltage and required option(s)
- III. Globe, Refractor, Guard, Reflector

### I. Champ Cover (Mounting Module):

Type	Conduit	Cat. #
Pendant	3/4"	APM2
	1"	APM3
Flexible Pendant	3/4"	HPM2
Ceiling	3/4"	CM2
	1"	CM3
Wall	3/4"	TWM2
	1"	TWM3
Stanchion – 25 Degree Angle	1 1/2"	JM5
Stanchion – Straight	1 1/2"	PM5
Quad-Mount	3/4"	QM25

### II. Ballast Housings:

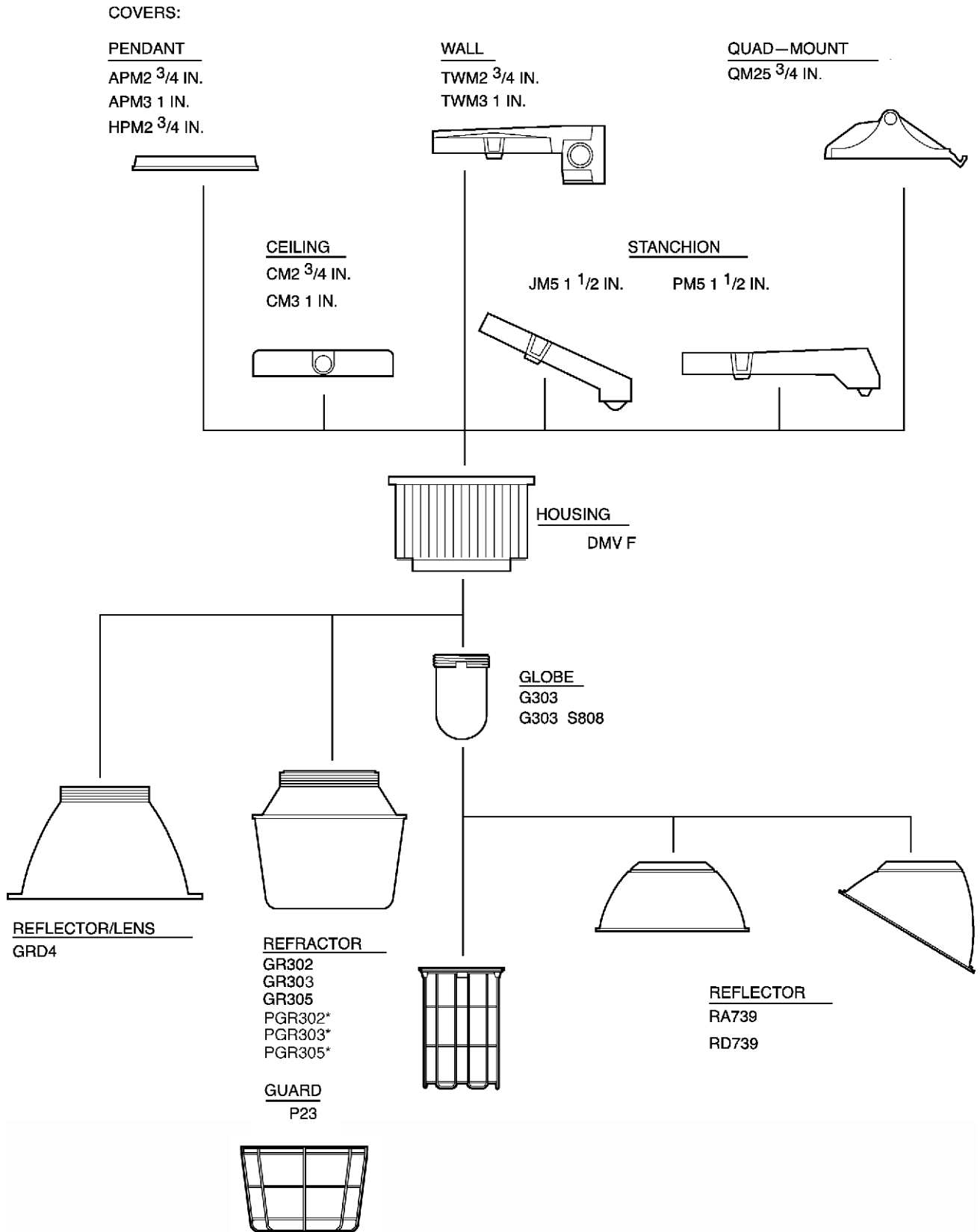
Complete catalog number must have the **voltage suffix** (MT shown) and any **options suffixes**.

Lamp Type	Lamp Watts	Cat. #
High Pressure Sodium	50	DMVS050/MT
	70	DMVS070/MT
	100	DMVS100/MT
	150	DMVS150/MT LX
Metal Halide	70	DMVM070/MT
	100	DMVM100/MT
	175	DMVM175/MT
	250	DMVM250/MT

### III. Globe, Reflectors, Refractors, Guards:

Type	Cat. #
Globe	G303
Globe – Teflon Coated	G303S808
Globe Guard	P33
Reflector – Dome	RD739
Reflector – Angle	RA739
Refractor – Type 2	GR302
Refractor – Type 3	GR303
Refractor – Type 5	GR305
Large Plastic Refractor Type 2	PGR302
Large Plastic Refractor Type 3	PGR303
Large Plastic Refractor Type 5	PGR305
Refractor Guard	P23
High Bay Reflector/Lens	GRD4

Champ® H.I.D. Luminaires



3L

\*Plastic refractors are non-hazardous areas only (50-100W Max.)

Champ® H.I.D. Luminaires

Cat. #	Lamp		Rated Ambient °C	Class I, Division 2			Class II, Division 1		Simultaneous Presence Class I, Div. 2 Class II, Div. 1 (with G303 Globe only)	Class I, Zone 2			Supply Wire Suitable for °C
	Wattage	Type		Globe (G303) w/ or w/o Reflector (RA739 or RD739)*	Reflector (GR302 or GR303 or GR305) Group	Reflector (G302 or G303 or G305) or Globe (G303)†	Globe (G303) with Reflector (RA739 or RD739)	Restricted Breathing Suffix S826 w/ Globe (G303)		Globe (G303) with Reflector (RA739 or RD739)	Factory Sealed Suffix S865 AEx nA nR II		
DMVS50	50	HPS	40	T3A	T3A	EFG	T6	T6	T3A	T6	T6	T3	75
DMVS50	50	HPS	55	T3	T3	EFG	T5	T5	T3	T5	T5	T3	85
DMVS50	50	HPS	65	T3	T3	EFG	T4A	T4A	T3	T5	T5	T3	90
DMVS70	70	HPS	40	T3A	T3A	EFG	T6	T6	T3A	T6	T6	T3	75
DMVS70	70	HPS	55	T3	T3	EFG	T5	T5	T3	T5	T5	T3	85
DMVS70	70	HPS	65	T3	T3	EFG	T4A	T4A	T3	T5	T5	T3	90
DMVS100	100	HPS	40	T2D	T2D	EFG	T5	T5	T3D	T6	T6	T3	75
DMVS100	100	HPS	55	T2C	T2C	EFG	T4A	T4A	T2C	T5	T5	T3	85
DMVS100	100	HPS	65	T2C	T2C	—	—	—	—	T4	T4	T3	90
DMVS150	150	HPS	40	T2B	T2B	EFG	T3C	T3C	T2A	T5	T5	T3	75
DMVS150	150	HPS	55	T2B	T2B	EFG	—	—	—	T4	T4	T3	85
DMVS150	150	HPS	65	T2A	T2B	EFG	—	—	—	—	—	T3	85
DMVM70	70	MH	40	T3C*	T3C	—	T3C	—	—	T6	T6	T3	60
DMVM70	70	MH	55	T3B*	T3C	—	—	—	—	T5	T5	T3	75
DMVM70	70	MH	65	T3A*	T3A	—	—	—	—	T5	T5	T3	85
DMVM100	100	MH	40	T3*	T3A	—	T3C	—	—	T5	T5	T3	60
DMVM100	100	MH	55	T3*	T3A	—	—	—	—	T5	T5	T3	75
DMVM100	100	MH	65	T2D*	T2D	—	—	—	—	T4	T4	T3	85
DMVM150	150	MH PS	40	T2B	—	EFG	T4A	T4A	—	T4	T4	T3	105
DMVM150	150	MH PS	55	T2A	—	EFG	T4	T4	—	T4	T4	T3	105
DMVM150	150	MH PS	65	T2A	—	—	T4	T4	—	T4	T4	T3	105
DMVM175	175	MH	40	T2B*	T2	EFG	T3C	T3C	T2A	T4	T4	T3	85
DMVM175	175	MH	55	T2A*	T2	EFG	—	—	—	T4	T4	T3	85
DMVM175	175	MH	65	T2A*	T2	—	—	—	—	T3	T3	T3	90
DMVM200	200	MH	40	T2	—	—	—	—	—	T4	T4	T3	75
DMVM200	200	MH	55	T1 (325)	—	—	—	—	—	T3	T3	T3	90
DMVM250	250	MH	40	T2	—	—	—	—	—	T4	T4	T3	75
DMVM250	250	MH	55	T1 (325)	—	—	—	—	—	T3	T3	T3	90
DMVF26	2 / 13 (26)	CF	40	T3A	—	EFG	T6	T6	—	T6	T6	T3	60
DMVF39	3 / 13 (39)	CF	40	T3A	—	EFG	T6	T6	—	T6	T6	T3	60
DMVF52	2 / 26 (52)	CF	40	T3	—	EFG	T6	—	—	T6	T6	T3	60
DMVF64	2 / 32 (64)	CF	40	T3	—	EFG	T6	—	—	T6	T6	T3	60
DMVF84	2 / 42 (84)	CF	40	T3A	—	EFG	T4A	T4A	—	T4	T4	—	90
DMVIG85	85	Induction	40	T3	—	—	—	—	—	T6	T6	—	60
DMVIG165	165	Induction	40	T3	—	—	T2D	—	T2D	T5	—	—	75

3L

The Class I, Division 2 T-codes apply to luminaires without the restricted breathing (S826) or factory sealed (S865) options. These luminaires are listed to UL 844. UL 844 specifies how the temperatures are measured.

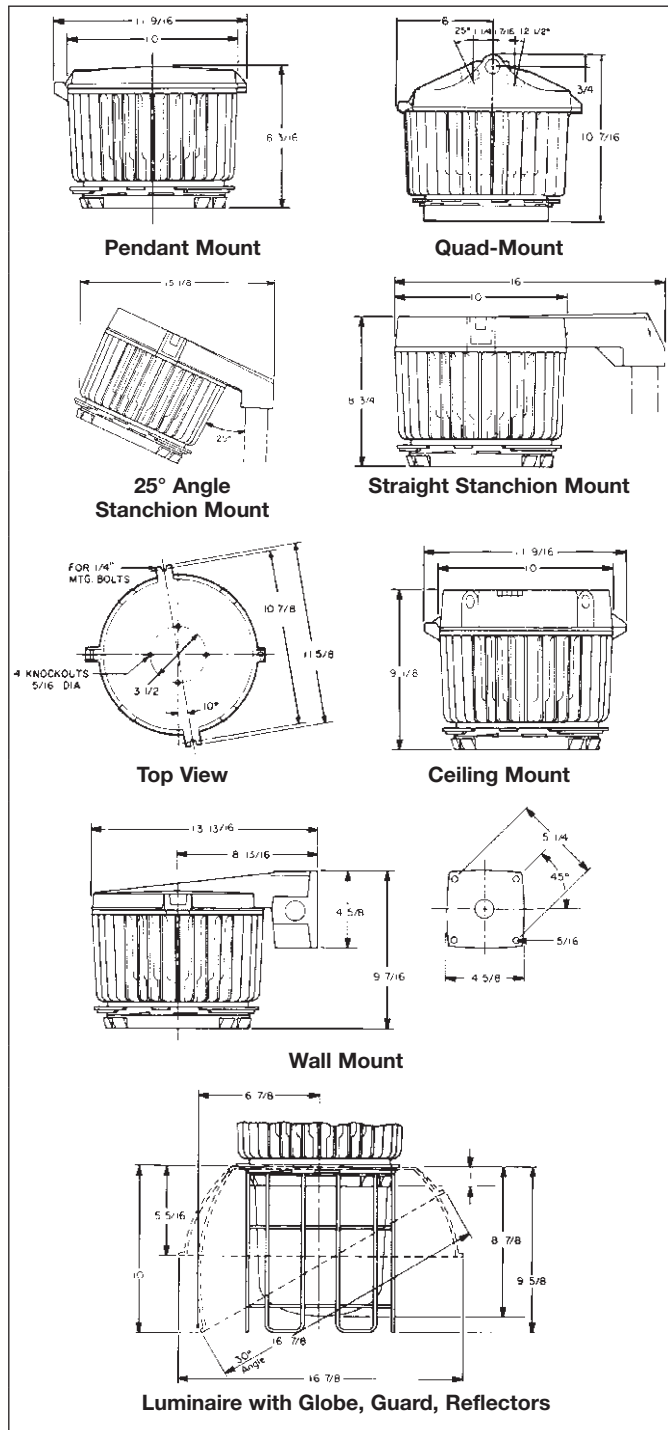
The Class I, Zone 2 T-codes are for luminaires that are additionally listed to UL 60079-15 that specify a different method for measuring temperatures. Since NEC® 501.1 states that equipment "...for use in Class I, Zone 0, 1, or 2 locations shall be permitted in Class I, Division 2 locations..." then these luminaires are suitable for Class I, Division 2 but with lower temperature ratings. They also have the advantage of meeting the more rigorous mechanical tests of UL 844.

\*All DMVM 175W and below MH luminaires provided with Catalog number G303-S808 have a T2A T-code.

†For use with refractor only when this table indicates by means of a T-code that the refractor is suitable for use with Class I, Division 2 luminaires.

Champ® H.I.D. Luminaires

Dimensions  
In Inches:



Net Luminaire Weights (lbs.):

Luminaire Series	Lamp Watts	Luminaire with Globe, Guard (lbs.)	Lamp Watts	Luminaire with Globe, Guard (lbs.)
DMVS	50	23	70	23 1/16
	100	24 1/16	150	26 1/8
DMVM	70	21	100	21 1/16
	175	22 1/4	250	24

Type	Lbs.	Type	Lbs.
<b>Add for mounting modules:</b>			
Pendant	1 1/4	Flexible Pendant	1 1/2
Ceiling	2 3/4	Wall	4 1/2
Quad Mount	3 1/2	Angle Stanchion	3 1/2
Straight Stanchion	4 1/2		

<b>Add for reflectors:</b>			
Dome	1 1/4	30° Angle	1 1/4
<b>Deduct: 1 lb. for luminaire without P33 Guard.</b>			
<b>Add: 5 1/2 lbs. for luminaire with GR305 refractor.</b>			

3L

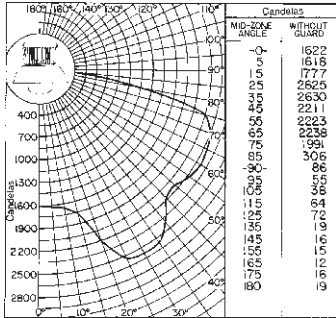


**Champ® H.I.D. Luminaires**

**Lamp: 150W/E-23-1/2 clear high pressure sodium (HPS)**  
**Total bare lamp lumens: 16000**

NOTE: All data provided is for high pressure sodium luminaires with 150W/E-23-1/2 clear lamps. Use conversion factors (multipliers) shown below for other clear lamp types and wattages. Consult Cooper Crouse-Hinds for additional photometric data on any *Champ* series luminaires.

**Luminaire with Globe and Dome Reflector**



Multipliers (for use with candela curve only).

Luminaire Series	Lamp Watts	Conversion Factor
	50	0.25
DMVS	70	0.40
	100	0.59

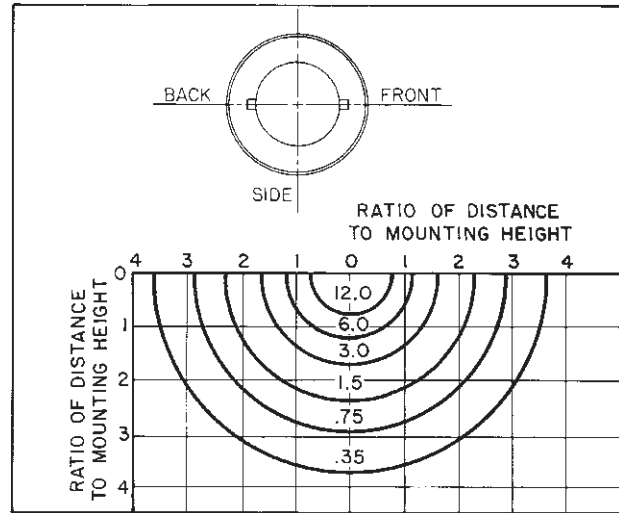
Luminaire spacing ratio: 1.90

**Coefficient of Utilization**

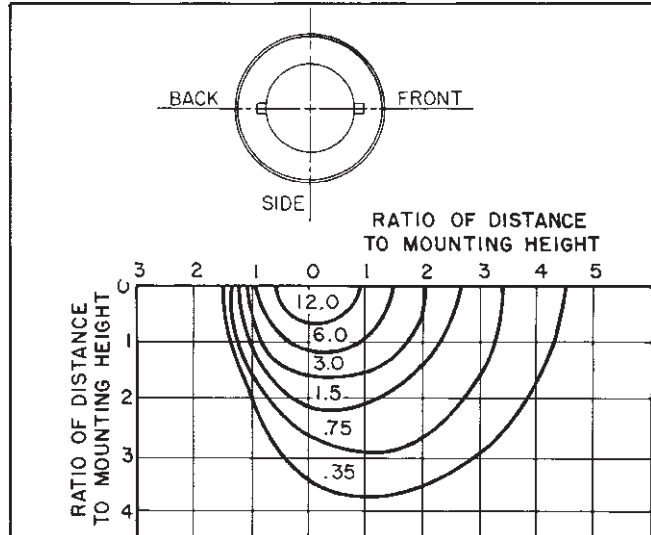
Effective Floor Cavity Reflectance 20%

% Reflectance Eff. Ceil.	Wall	Room Cavity Ratio				
		1	2	3	4	5
80	50	.759	.643	.551	.476	.418
	30	.719	.582	.480	.400	.340
	10	.683	.530	.424	.342	.283
70	50	.740	.627	.538	.465	.406
	30	.703	.570	.471	.394	.334
	10	.669	.523	.418	.338	.280
50	50	.703	.595	.512	.442	.388
	30	.672	.548	.455	.381	.324
	10	.645	.506	.408	.332	.276
30	50	.669	.567	.488	.422	.370
	30	.646	.528	.439	.368	.314
	10	.622	.492	.399	.325	.270
10	50	.640	.541	.466	.403	.354
	30	.619	.508	.424	.356	.305
	10	.600	.479	.389	.318	.265
0	0	.582	.459	.370	.299	.247
% Reflectance Eff. Ceil.	Wall	Room Cavity Ratio				
		6	7	8	9	10
80	50	.371	.330	.294	.267	.231
	30	.296	.257	.224	.198	.164
	10	.243	.208	.174	.151	.121
70	50	.362	.323	.288	.262	.226
	30	.291	.252	.221	.195	.164
	10	.238	.204	.173	.151	.121
50	50	.345	.309	.275	.250	.218
	30	.283	.244	.215	.190	.159
	10	.235	.201	.170	.148	.119
30	50	.331	.294	.265	.240	.209
	30	.275	.239	.208	.184	.154
	10	.231	.196	.168	.146	.116
10	50	.317	.284	.253	.231	.201
	30	.266	.233	.203	.180	.150
	10	.227	.193	.165	.143	.114
0	0	.210	.177	.149	.128	.100

**Isofootcandle Chart: Luminaire with Globe and Dome Reflector**



**Isofootcandle Chart: Luminaire with Globe and 30° Angle Reflector**



Isofootcandle charts show illumination in footcandles on work plane 10 feet below light center. Multiply by factor shown to convert to other mounting heights.

Height (Ft.)	Factor	Height (Ft.)	Factor
8	1.56	16	.391
12	.694	20	.250
14	.510		

**VMV, LMV, DMV, VMV High Wattage & N2MV Series**

**Globes**



**G54                      G24                      G303**

Lamp Watts	Luminaire Series	Type	Cat. #
35-150	LMVS, LMVM	Heat/impact resistant	<b>G54</b>
50-175	VMVM, VMVS	Heat/impact resistant	<b>G24</b>
50-250	DMVM, DMVS	Heat/impact resistant	<b>G303</b>
200-400	VMVS	Heat/impact resistant	<b>G303</b>
250	VMVM	Heat/impact resistant	<b>G303</b>
50-175	N2MVM, N2MVS	Heat/impact resistant	<b>G303</b>

**Guards**



**P50 – use with G54 globe**

**P21 – use with G24 globe**

**P33 – use with G303 globe**



**P23 – use with reflectors**

Lamp Watts	Luminaire Series	Type	Cat. #
35-150	LMVS, LMVM	Copper-free aluminum	<b>P50</b>
50-175	VMVM, VMVS	Copper-free aluminum	<b>P21</b>
50-250	DMVM, DMVS	Stainless steel	<b>P33</b>
200-400	VMVS	Stainless steel	<b>P33</b>
250	VMVM	Stainless steel	<b>P33</b>
Reflectors	All	Stainless steel	<b>P23</b>
50-175	N2MVM, N2MVS	Stainless steel	<b>P33</b>

**Reflectors**



**Dome – Krydon® material**

**30° Angle – Krydon material**

Lamp Watts	Luminaire Series	Dome Cat. #	Angle Cat. #
35-150	LMVS, LMVM	<b>RD636</b>	<b>RA636</b>
50-175	VMVM, VMVS	<b>RD70</b>	<b>RA70</b>
50-250	DMVM, DMVS	<b>RD739</b>	<b>RA739</b>
200-400	VMVS	<b>RD739</b>	<b>RA739</b>
250	VMVM	<b>RD739</b>	<b>RA739</b>
50-175	N2MV, N2MV(B)	<b>RD739</b>	<b>RA740</b>

**Reflector / Lens**



**Etched Alzak aluminum reflector/tempered glass lens**

Lamp Watts	Luminaire Series	Type	Cat. #
200-400	VMVM, VMVS	Reflector/Lens	<b>GRD4</b>
70-250	DMVS, DMVM	Reflector/Lens	<b>GRD4</b>

**Globes – Teflon Coated**

Teflon coated for increased shatter protection

Lamp Watts	Luminaire Series	Cat. #
50-175	VMVM, VMVS	<b>G24 S808</b>
50-175	DMVM, DMVS	<b>G303 S808</b>

Alzak is a registered trademark of Alcoa.  
Teflon is a registered trademark of E.I. DuPont Co.



**VMV, LMV, DMV, VMV High Wattage & N2MV Series**

**Refractors**



R2, R5, PR2, PR3, PR5



GR302, GR303, GR305

Lamp Watts	Luminaire Series	I.E.S. Type	Glass Cat. #	Plastic (100W max. non-hazardous) Cat. #
50-175	VMVM, VMVS	II	R2	PR2
		III	R3	PR3
		V	R5	PR5
200-400	VMVM, VMVS	II	GR302	
		III	GR305	
		V	GR305	
50-250	DMVS, DMVM	II	GR302	PGR302
		III	GR303	PGR303
		V	GR305	PGR305
50-175	N2MV			

**I.E.S. Distribution Curves**



Type I

Type II

Type III

Type V

**Compact Refractors**



Lamp Watts	Luminaire Series	I.E.S. Type	Glass Cat. #
50-175	VMVM, VMVS	I	G241
		III	G243
		V	G245
			P241

Optional stainless steel wire guard

**Safety Lighting Options**

Description	Suffix
<b>Quartz Auxiliary Lamp</b>	<b>QTZ</b>
The quartz auxiliary lamp comes to full brightness instantly and remains lit until the H.I.D. lamp attains 60-70% of full illumination. Quartz auxiliary lamps can be used with all DMV, VMV and VMV High Wattage series <i>Champ</i> ® luminaires. Use for non-hazardous applications ONLY.	
VMV luminaires (50-175W) ordered with this option must use large glass refractor optics, not compact refractors.	
100W single ended lamp - Q100CL/DC, Q100DC or 100Q/CL/DC NOT furnished	

Instant Restrike	IR
Factory installed instant restrike device will restart a hot High Pressure Sodium lamp after a momentary power interruption, without the typical delay for cooling.	
For use in 50-150W "LX" HPS luminaires.	

Ballast-Gard™	BG
Ballast-Gard starter cut-out switch prevents starter pulsing after a time delay of approximately two minutes if the lamp fails to start.	
For use in 50-400 watt HPS luminaires only.	