

NVMV Series 70-400W Ex-Protected Luminaire for IEC and ATEX Applications

Champ® H.I.D. Luminaires

Ex nR II T...Gc
Ex t IIIC T...°C Db IP66
LCIE 09 ATEX 1002
LCIE 09 ATEX 3008

3L

The Champ® NVMV design is optimized for Zone 2 gas applications (with standard restricted breathing Ex nR protection), as well as Zone 21 dust applications.

Applications:

NVMV Ex-Protected Luminaires are suitable for applications in Zone 2/Zone 21/Zone 22:

- In manufacturing plants, refineries, chemical, petrochemical, and other industrial process facilities, waste or sewage treatment facilities, dockside and other heavy industrial applications
- In areas where combustible dusts or fibers may be present
- In areas where ignitable concentrations of flammable gases or vapors will be present
- In installations where moisture, dirt, dust, vibration, corrosion, and rough usage are problematic

Features:

- One product offering for global applications. The Champ family has the required IEC and ATEX certifications to provide solutions for specification requirements around the world.
- Restricted breathing (Ex nR) protection is standard. This provides better T-ratings, as gases will not enter the lamp chamber and control gear housing.
- Provides an integrated ballast with thermal cut-off functionality incorporated into the control gear. In the event of abnormal temperatures or when the lamp approaches end of life, the cut-off functionality protects the ballast from overheating or burning out.
- Identical mounting cover for IEC and NEC applications - regardless of wattage, options, and accessories. Reduce inventory costs and provide greater flexibility for engineering designers, customers, and distributors.
- HPS lamps restrike in 10-30 seconds with the instant restrike option (IR) should lamp extinguish due to system voltage drop or momentary loss. Optional built-in cut-off feature will shut off the instant restrike to avoid continuous high energy pulsing when lamp is inoperative or nearing end of life.
- Available with the Champ Quick-Clip. Quick-Clip secures the housing to the cover, providing faster, easier, and safer luminaire installation.

Certifications and Compliances:

Application in Zone 2 area acc. IEC 60079-15

- Marking to 94/9/EC: Ex II 3 G Ex nR II T...Gc
- EC - Type Examination: LCIE 09 ATEX 1002

Application in Zone 21 and 22 areas acc. IEC 61241-1

- Marking to 94/9/EC: Ex II 2 D Ex t IIIC T...°C(*) Db IP66
- EC - Type Examination: LCIE 09 ATEX 3008

General per both application Zone 2 and 21

- Temperature ambient of use: -45°C to +55°C
- Electromagnetic compatibility: EN 61000-6-4
- Degree of protection: acc. EN 60529 IP66

Standard Materials and Finishes:

- Ballast housing and mountings – copper-free aluminum
- Exterior hardware – stainless steel (type 304)
- Reflectors (dome and angle) – Krydon® fiberglass-reinforced polyester
- Globes – heat and impact-resistant glass
- Guards – copper-free aluminum and stainless steel (large housing - stainless steel only)

Technical Specifications:

- | | |
|----------------------|---|
| • Entry | Up to 4 x M20, M25, M32, 1/2" NPT and 3/4" NPT and 1" NPT cable entries (1 1/2" NPT for stanchion only) |
| • Termination | 3 Core 6mm ² max. (standard); 6 x 6mm ² for looping (available upon request) |
| • Installation | Ceiling Mount, Wall Mount, Stanchion Mount, Pendant Mount |
| • Lamp Holder | E27 or E40 |
| • Lamp Type | HSE/HST (high pressure sodium lamp) and HIE (metal halide lamp) |
| • Lamp Power | 70W, 100W, 150W, 250W, and 400W |
| • Control Gear | Integrated ballast, thermal cut-off functionality incorporated into control gear |
| • Re-lamping | Access via restricted breathing lamp chamber |
| • Burning Position | Base up; up to 25° off vertical |
| • Ingress Protection | IP66 to EN 60529 |
| • Electrical Supply | 220, 230, 240V 50Hz and 220, 230V 60Hz |



NVMV 70W - 250W (Small Housing)

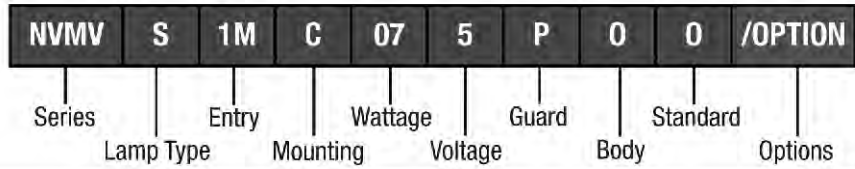


NVMV 250W - 400W (Large Housing)

3L

Ordering Information:

Ordering Example: to complete part number, select ordering options from tables below and display them in the following order.



Example of Completed Part Number - Small Body: NVMVS1MC075POO

NVMV	S	1M	C	07	5	P	O	O
Series	Lamp	Entry	Mounting*	Wattage	Voltage	Guard	Body	Options
NVMV Luminaire IEC Gear	S = HSE/HST (HPS) M = HIE (MH)	1M = M20 2M = M25 3M = M32 1N = 1/2" NPT 2N = 3/4" NPT 3N = 1" NPT 5N = 1 1/2" NPT (For Stanchion)	C = Ceiling W = Wall J = Stanchion	07 = 70W 10 = 100W 15 = 150W 25 = 250W	3 = 220V / 50 Hz 5 = 230V / 50 Hz 6 = 240V / 50 Hz 4 = 220V / 60 Hz 7 = 230V / 60 Hz	O = Without Guard G34 Globe P = G251 Globe with P22 Alum. Guard S = G251 Globe with P22 SS304 Guard	O = Small Body	O = Standard

Example of Completed Part Number - Large Body: NVMVS1MC255PLO

NVMV	S	1M	C	25	5	P	L	O
Series	Lamp	Entry	Mounting*	Wattage	Voltage	Guard	Body	Options
NVMV Luminaire IEC Gear	S = HSE/HST (HPS) M = HIE (MH)	1M = M20 2M = M25 3M = M32 1N = 1/2" NPT 2N = 3/4" NPT 3N = 1" NPT 5N = 1 1/2" NPT (For Stanchion)	C = Ceiling W = Wall J = Stanchion	25 = 250W 40 = 400W	3 = 220V / 50 Hz 5 = 230V / 50 Hz 6 = 240V / 50 Hz 4 = 220V / 60 Hz 7 = 230V / 60 Hz	O = Without Guard G303 Globe P = G303 Globe with P33 SS Guard	L = Large Body	O = Standard

Options and Accessories:

Description	Suffix
Instant restrike (100W HPS and 150W HPS) (alternative solution to dual arc lamps)	/IR
Dome reflector - small housing	/RD70
30° angle reflector - small housing	/RA70
Dome reflector - large housing	/RD739
30° angle reflector - large housing	/RA739
Champ® Quick-Clip	/S890

*For pendant mounting, order ceiling mount with pendant bracket accessory - please consult factory.

Champ® H.I.D. Luminaires

Temperature Performance:

Refer to temperature performance data tables (below) to select luminaire that is suitable for your area specifications. These numbers are the maximum surface temperature of the luminaire.

Note: T3 - maximum surface temperature 200°C
T4 - maximum surface temperature 135°C

For example: atmospheres that contain gasoline and have an ignition temperature of 536°C, any fixture with the T-rating in this table can be used.

Atmospheres that contain diethyl ether and have an ignition temperature of 160°C require a luminaire with T4 ratings.

NVMV 70W - 250W (Small Housing)

Catalog Number Example†	Watts	Lamp Type	Rated Ambient °C	Lamp Holder	GAS (Class I, Zone 2) Ex nR II T...Gc				DUST (Class II, Zone 21) Ex t IIIC T...Db			
					With G34 Globe Only	With G251 Globe Only	With G34 Globe and Reflector	With G251 Globe and Reflector	With G34 Globe Only	With G251 Globe Only	With G34 Globe and Reflector	With G251 Globe and Reflector
NVMVS1MC075*00	70W	HSE/HST (HPS)	40	E27	T4	T4	T4	T4	99°C	109°C	104°C	109°C
			50		T4	T4	T4	T4	109°C	119°C	114°C	119°C
			55		T4	T4	T4	T4	114°C	124°C	119°C	124°C
NVMVS1MC105*00	100W		40	E40	T4	T4	T4	T4	99°C	117°C	104°C	128°C
			50		T4	T4	T4	T3	109°C	127°C	114°C	138°C
			55		T4	T3	T4	T3	114°C	132°C	119°C	143°C
NVMVS1MC155*00	150W		40	E40	T4	T3	T3	T3	122°C	140°C	140°C	140°C
			50		T3	T3	T3	T3	132°C	150°C	150°C	150°C
			55		T3	T3	T3	T3	137°C	155°C	155°C	155°C
NVMVS1MC255*00	250W	40	E40	T3	T3	T3	T2	168°C	174°C	189°C	218°C	
		50		T3	T3	T2	T2	178°C	184°C	199°C	228°C	
		55		T3	T3	T2	T2	183°C	189°C	204°C	233°C	
NVMVM1MC075*00	70W	HIE (MH)	40	E27	T4	T4	T4	T4	99°C	109°C	104°C	109°C
			50		T4	T4	T4	T4	109°C	119°C	114°C	119°C
			55		T4	T4	T4	T4	114°C	124°C	119°C	124°C
NVMVM1MC105*00	100W		40	E27	T4	T4	T4	T4	99°C	117°C	104°C	128°C
			50		T4	T4	T4	T3	109°C	127°C	114°C	138°C
			55		T4	T3	T4	T3	114°C	132°C	119°C	143°C
NVMVM1MC155*00	150W		40	E27	T4	T3	T3	T3	122°C	140°C	140°C	140°C
			50		T3	T3	T3	T3	132°C	150°C	150°C	150°C
			55		T3	T3	T3	T3	137°C	155°C	155°C	155°C
NVMVM1MC255*00	250W	40	E40	T3	T3	T3	T2	168°C	194°C	189°C	218°C	
		50		T3	T2	T2	T2	178°C	204°C	199°C	228°C	
		55		T3	T2	T2	T2	183°C	209°C	204°C	233°C	

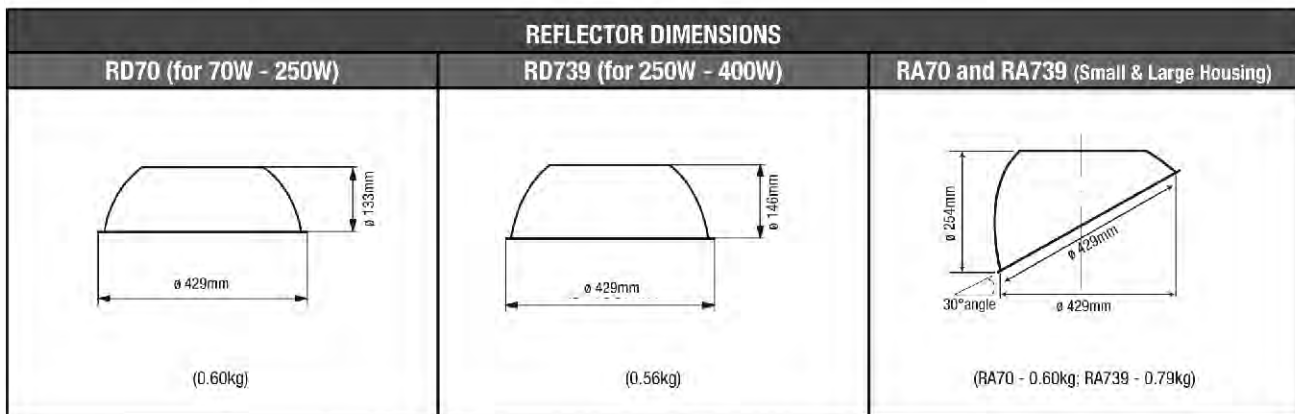
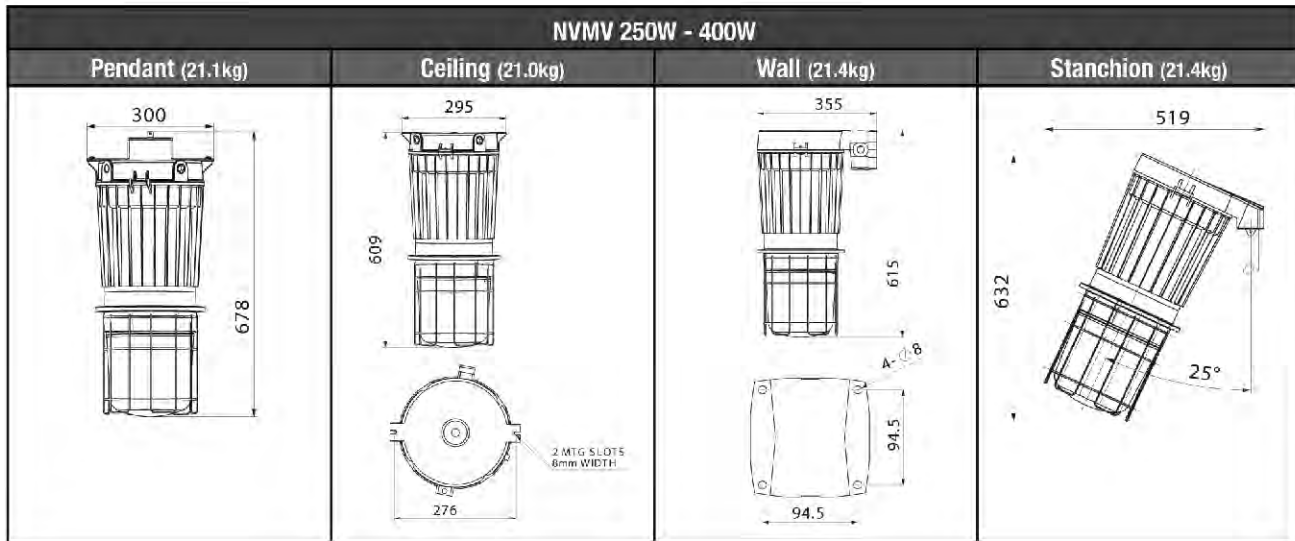
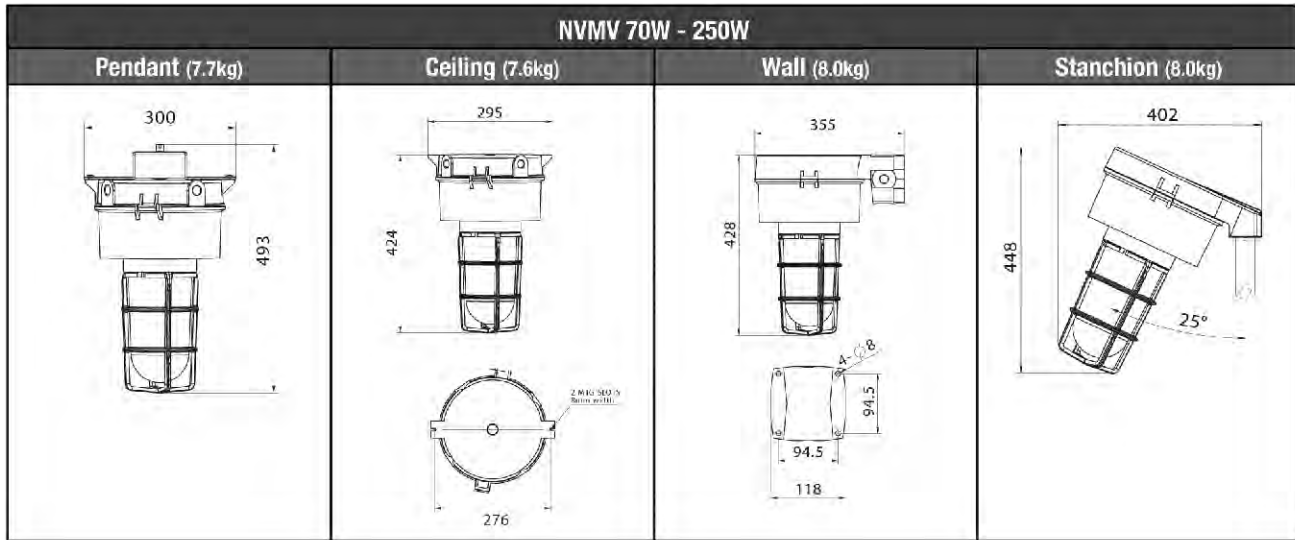
†Cat. No. - shown with M20 Ceiling Mount, /230V, 50 Hz.

NVMV 250W - 400W (Large Housing)

Catalog Number Example	Watts	Lamp Type	Rated Ambient °C	Lamp Holder	GAS (Class I, Zone 2) Ex nR II T...Gc		DUST (Class II, Zone 21) Ex t IIIC T...Db	
					With G303 Globe Only	With G303 Globe and Reflector	With G303 Globe Only	With G303 Globe and Reflector
NVMVS1MC255*L0	250W	HSE/HST (HPS)	40	E40	T3	T3	137°C	137°C
			50		T3	T3	147°C	147°C
			55		T3	T3	152°C	152°C
NVMVS1MC405*L0	400W		40	E40	T3	T3	159°C	175°C
			50		T3	T3	169°C	185°C
			55		T3	T3	174°C	190°C
NVMVM1MC255*L0	250W	HIE (MH)	40	E40	T3	T3	137°C	137°C
			50		T3	T3	147°C	147°C
			55		T3	T3	152°C	152°C
NVMVM1MC405*L0	400W		40	E40	T3	T3	159°C	193°C
			50		T3	T2	169°C	203°C
			55		T3	T2	174°C	208°C

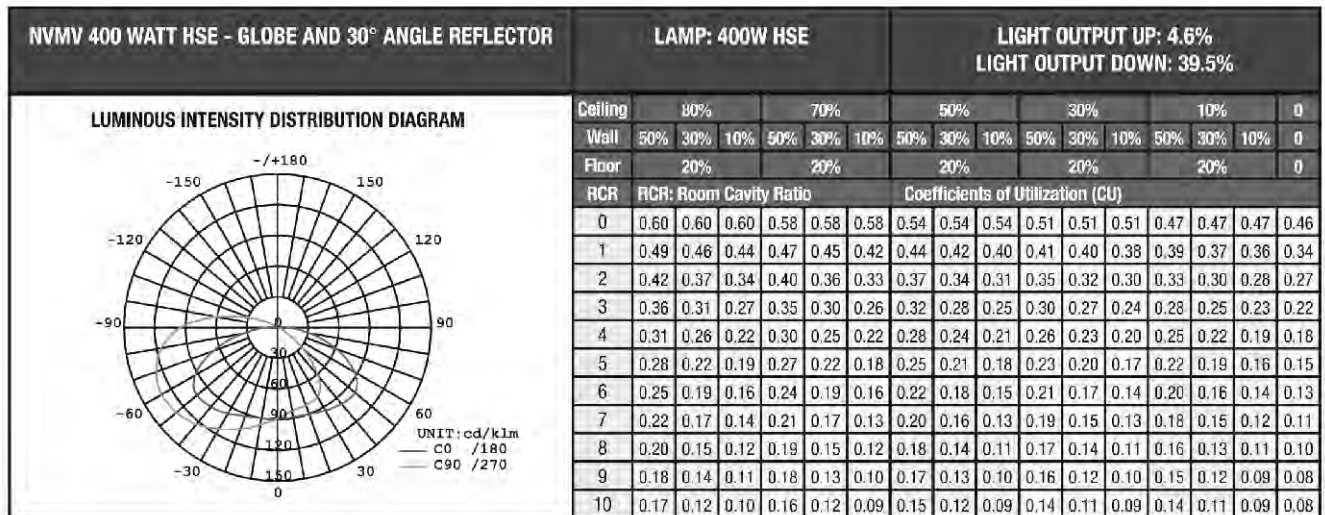
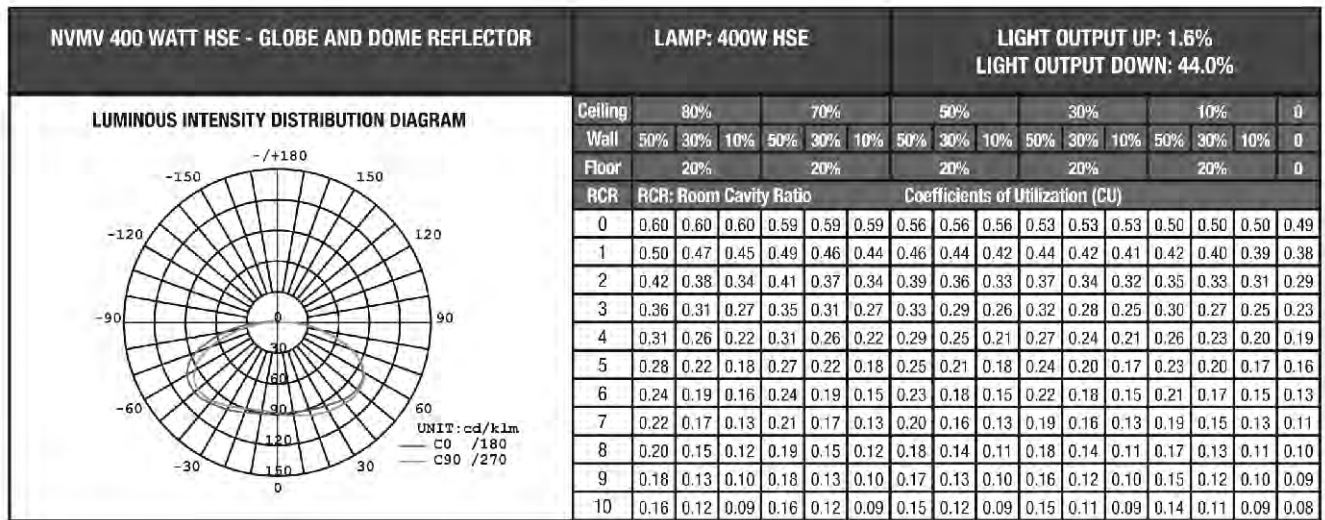
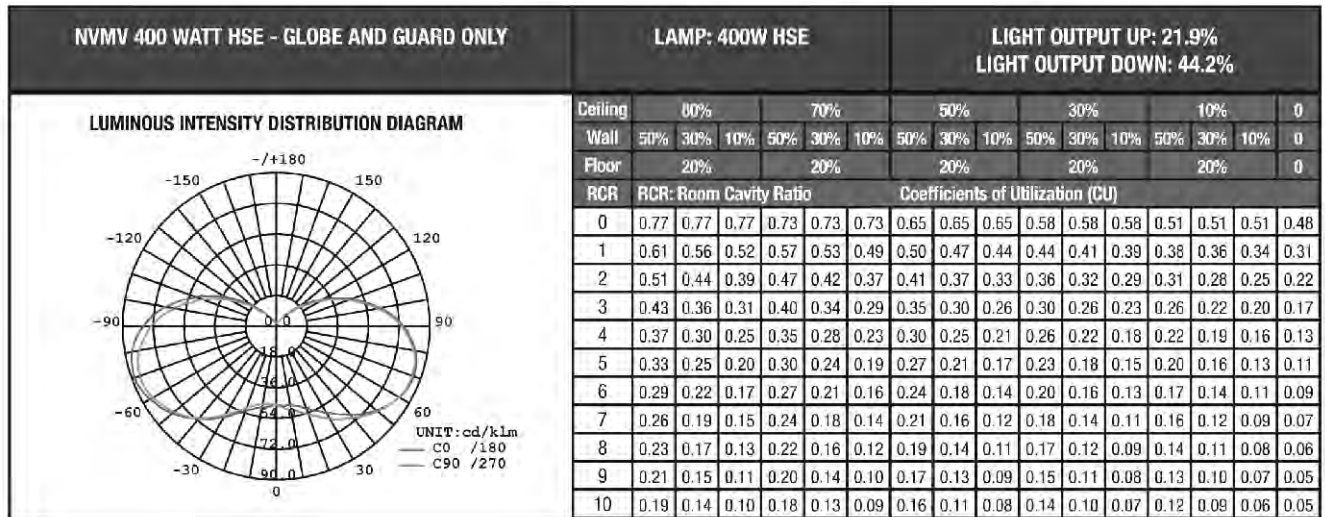
Champ® H.I.D. Luminaires

Dimensions:



Champ® H.I.D. Luminaires

Photometry - Large Housing:



3L

Champ® H.I.D. Luminaires

Photometry - Large Housing:

NVMV 250 WATT HSE - GLOBE AND GUARD ONLY		LAMP: 250W HSE										LIGHT OUTPUT UP: 21.9% LIGHT OUTPUT DOWN: 44.2%						
LUMINOUS INTENSITY DISTRIBUTION DIAGRAM 		Ceiling	80%			70%			50%			30%			10%			0
		Wall	50%	30%	10%	50%	30%	10%	50%	30%	10%	50%	30%	10%	50%	30%	10%	0
		Floor	20%			20%			20%			20%			20%			0
		RCR	RCR: Room Cavity Ratio										Coefficients of Utilization (CU)					
		0	0.75	0.75	0.75	0.70	0.70	0.70	0.60	0.60	0.60	0.52	0.52	0.52	0.44	0.44	0.44	0.40
		1	0.59	0.55	0.51	0.55	0.51	0.47	0.46	0.43	0.41	0.39	0.36	0.34	0.32	0.30	0.28	0.25
		2	0.49	0.43	0.38	0.45	0.40	0.35	0.38	0.34	0.30	0.32	0.28	0.25	0.26	0.23	0.21	0.17
		3	0.42	0.35	0.30	0.39	0.33	0.28	0.32	0.28	0.24	0.27	0.23	0.20	0.21	0.18	0.16	0.13
		4	0.36	0.29	0.24	0.33	0.27	0.22	0.28	0.23	0.19	0.23	0.19	0.16	0.18	0.15	0.12	0.10
		5	0.32	0.25	0.20	0.29	0.23	0.18	0.25	0.20	0.16	0.20	0.16	0.13	0.16	0.13	0.10	0.08
6	0.28	0.22	0.17	0.26	0.20	0.16	0.22	0.17	0.13	0.18	0.14	0.11	0.14	0.11	0.08	0.06		
7	0.25	0.19	0.14	0.23	0.17	0.13	0.20	0.15	0.11	0.16	0.12	0.09	0.13	0.10	0.07	0.05		
8	0.23	0.17	0.12	0.21	0.15	0.11	0.18	0.13	0.10	0.15	0.11	0.08	0.12	0.09	0.06	0.04		
9	0.21	0.15	0.11	0.19	0.14	0.10	0.16	0.12	0.08	0.13	0.10	0.07	0.11	0.08	0.05	0.04		
10	0.19	0.13	0.09	0.17	0.12	0.09	0.15	0.10	0.07	0.12	0.09	0.06	0.10	0.07	0.05	0.03		

NVMV 250 WATT HSE - GLOBE AND DOME REFLECTOR		LAMP: 250W HSE										LIGHT OUTPUT UP: 1.6% LIGHT OUTPUT DOWN: 44.0%						
LUMINOUS INTENSITY DISTRIBUTION DIAGRAM 		Ceiling	80%			70%			50%			30%			10%			0
		Wall	50%	30%	10%	50%	30%	10%	50%	30%	10%	50%	30%	10%	50%	30%	10%	0
		Floor	20%			20%			20%			20%			20%			0
		RCR	RCR: Room Cavity Ratio										Coefficients of Utilization (CU)					
		0	0.64	0.64	0.64	0.62	0.62	0.62	0.59	0.59	0.59	0.56	0.56	0.56	0.53	0.53	0.53	0.52
		1	0.53	0.50	0.47	0.51	0.48	0.46	0.48	0.46	0.44	0.46	0.44	0.42	0.43	0.42	0.40	0.39
		2	0.44	0.40	0.36	0.43	0.39	0.35	0.41	0.37	0.34	0.38	0.35	0.33	0.36	0.34	0.32	0.30
		3	0.38	0.32	0.28	0.37	0.32	0.28	0.35	0.30	0.27	0.33	0.29	0.26	0.31	0.28	0.25	0.24
		4	0.33	0.27	0.23	0.32	0.27	0.23	0.30	0.26	0.22	0.28	0.25	0.21	0.27	0.24	0.21	0.19
		5	0.29	0.23	0.19	0.28	0.23	0.19	0.26	0.22	0.18	0.25	0.21	0.18	0.24	0.20	0.17	0.16
6	0.26	0.20	0.16	0.25	0.20	0.16	0.24	0.19	0.16	0.22	0.18	0.15	0.21	0.18	0.15	0.14		
7	0.23	0.18	0.14	0.22	0.17	0.14	0.21	0.17	0.14	0.20	0.16	0.13	0.19	0.16	0.13	0.12		
8	0.21	0.16	0.12	0.20	0.15	0.12	0.19	0.15	0.12	0.18	0.14	0.12	0.18	0.14	0.11	0.10		
9	0.19	0.14	0.11	0.18	0.14	0.11	0.18	0.13	0.10	0.17	0.13	0.10	0.16	0.13	0.10	0.09		
10	0.17	0.13	0.10	0.17	0.13	0.10	0.16	0.12	0.09	0.16	0.12	0.09	0.15	0.11	0.09	0.08		

NVMV 250 WATT HSE - GLOBE AND 30° ANGLE REFLECTOR		LAMP: 250W HSE										LIGHT OUTPUT UP: 4.6% LIGHT OUTPUT DOWN: 39.5%						
LUMINOUS INTENSITY DISTRIBUTION DIAGRAM 		Ceiling	80%			70%			50%			30%			10%			0
		Wall	50%	30%	10%	50%	30%	10%	50%	30%	10%	50%	30%	10%	50%	30%	10%	0
		Floor	20%			20%			20%			20%			20%			0
		RCR	RCR: Room Cavity Ratio										Coefficients of Utilization (CU)					
		0	0.61	0.61	0.61	0.59	0.59	0.59	0.55	0.55	0.55	0.51	0.51	0.51	0.48	0.48	0.48	0.46
		1	0.50	0.47	0.44	0.48	0.45	0.43	0.45	0.42	0.40	0.41	0.40	0.38	0.39	0.37	0.36	0.34
		2	0.42	0.38	0.34	0.41	0.37	0.33	0.38	0.34	0.31	0.35	0.32	0.30	0.32	0.30	0.28	0.26
		3	0.36	0.31	0.27	0.35	0.30	0.26	0.32	0.28	0.25	0.30	0.27	0.24	0.28	0.25	0.23	0.21
		4	0.32	0.26	0.22	0.30	0.26	0.22	0.28	0.24	0.21	0.26	0.23	0.20	0.24	0.21	0.19	0.17
		5	0.28	0.23	0.19	0.27	0.22	0.18	0.25	0.21	0.18	0.23	0.20	0.17	0.22	0.19	0.16	0.15
6	0.25	0.20	0.16	0.24	0.19	0.16	0.22	0.18	0.15	0.21	0.17	0.14	0.19	0.16	0.14	0.12		
7	0.22	0.17	0.14	0.22	0.17	0.14	0.20	0.16	0.13	0.19	0.15	0.13	0.18	0.14	0.12	0.11		
8	0.20	0.15	0.12	0.20	0.15	0.12	0.18	0.14	0.11	0.17	0.14	0.11	0.16	0.13	0.11	0.09		
9	0.18	0.14	0.11	0.18	0.14	0.11	0.17	0.13	0.10	0.16	0.12	0.10	0.15	0.12	0.09	0.08		
10	0.17	0.13	0.10	0.16	0.12	0.09	0.15	0.12	0.09	0.15	0.11	0.09	0.14	0.11	0.08	0.07		

3L

Champ® H.I.D. Luminaires

Photometry - Small Housing:

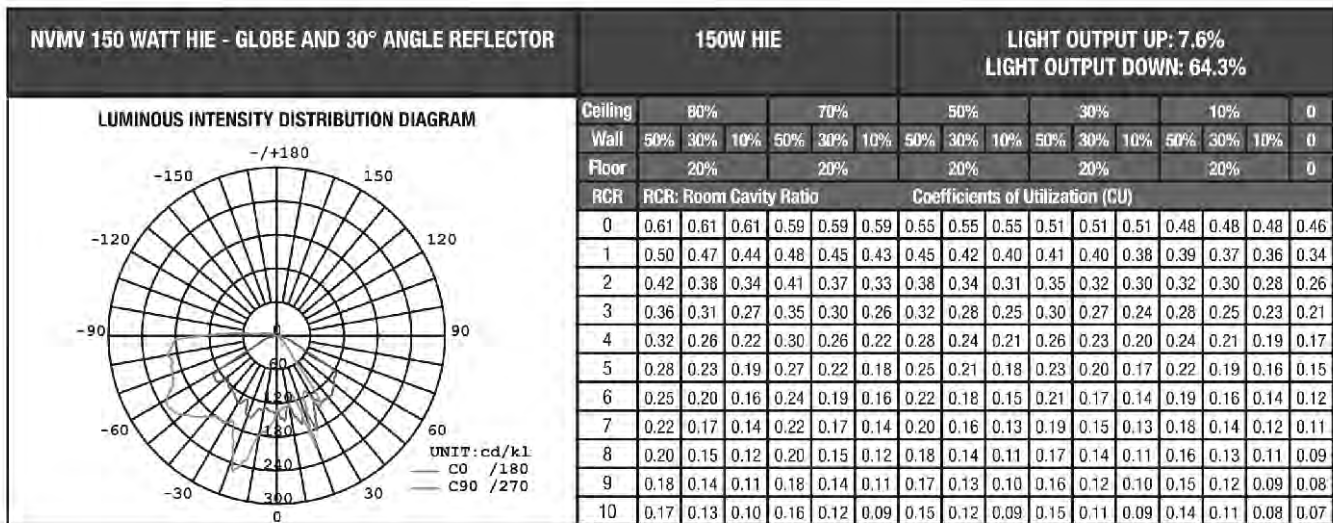
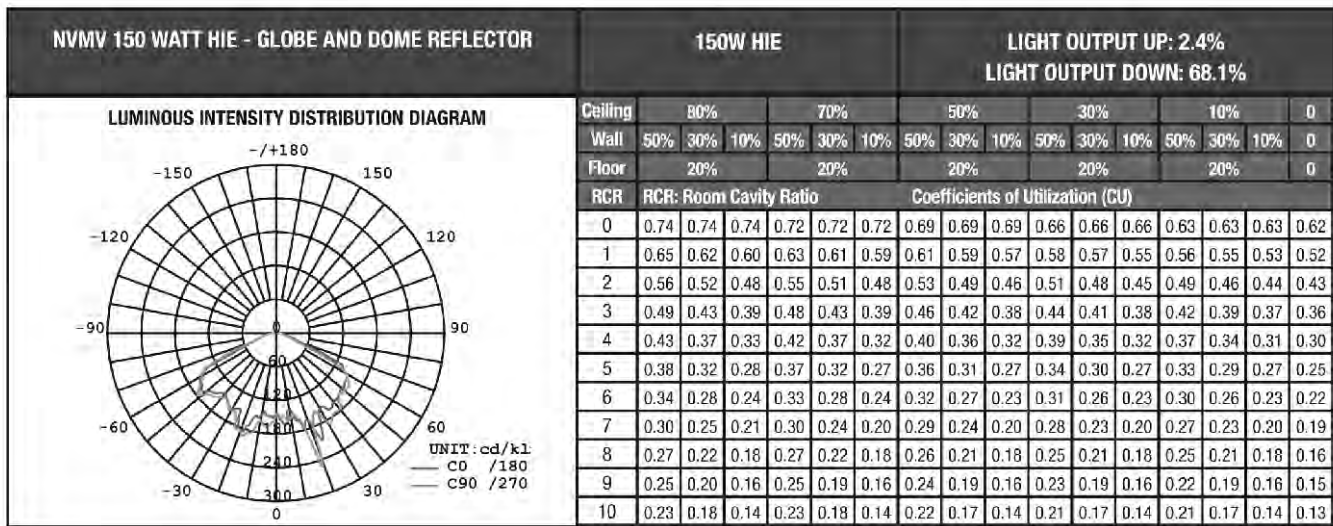
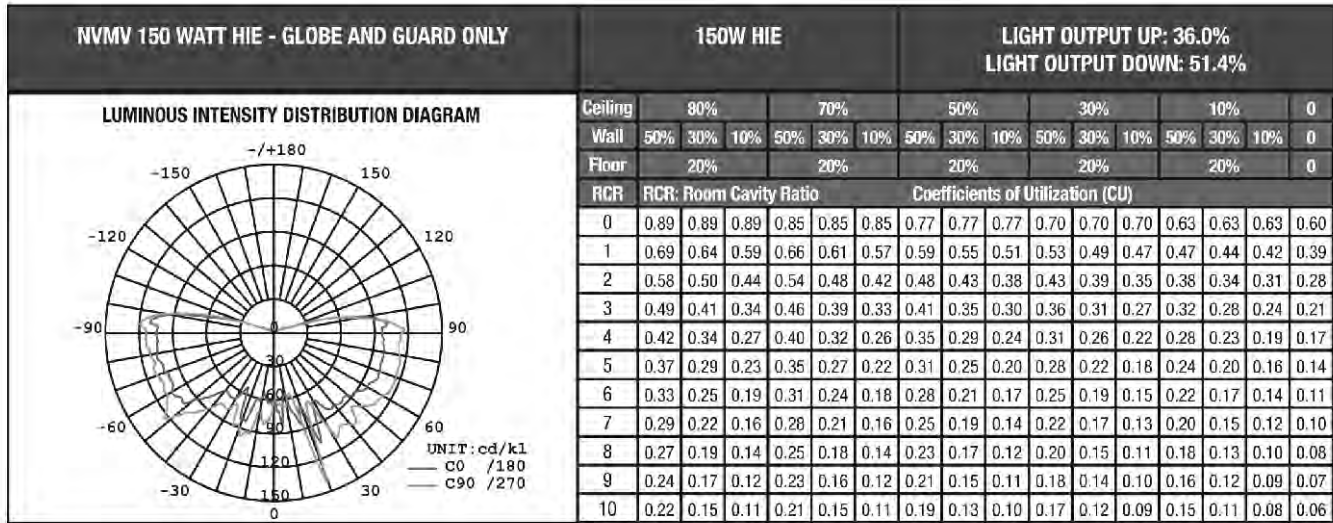
NVMV 150 WATT HSE - GLOBE AND GUARD ONLY		LAMP: 150W HSE						LIGHT OUTPUT UP: 36.0% LIGHT OUTPUT DOWN: 51.4%									
LUMINOUS INTENSITY DISTRIBUTION DIAGRAM 		Ceiling 80% 70% 50% 30% 10% 0	Wall 50% 30% 10% 50% 30% 10% 50% 30% 10% 50% 30% 10% 0	Floor 20% 20% 20% 20% 20% 0	RCR RCR: Room Cavity Ratio	Coefficients of Utilization (CU)	0 0.95 0.95 0.95 0.89 0.89 0.89 0.77 0.77 0.77 0.66 0.66 0.66 0.56 0.56 0.56 0.51	1 0.76 0.70 0.65 0.70 0.65 0.61 0.60 0.56 0.52 0.50 0.47 0.44 0.41 0.39 0.37 0.32	2 0.63 0.56 0.49 0.58 0.52 0.46 0.49 0.44 0.39 0.41 0.37 0.33 0.33 0.30 0.27 0.23	3 0.54 0.46 0.39 0.50 0.42 0.36 0.42 0.36 0.31 0.35 0.30 0.26 0.28 0.24 0.21 0.17	4 0.47 0.38 0.31 0.43 0.35 0.29 0.36 0.30 0.25 0.30 0.25 0.21 0.24 0.20 0.17 0.13	5 0.41 0.32 0.26 0.38 0.30 0.24 0.32 0.26 0.21 0.26 0.21 0.17 0.21 0.17 0.14 0.11	6 0.36 0.28 0.22 0.34 0.26 0.20 0.28 0.22 0.17 0.23 0.18 0.14 0.19 0.15 0.12 0.09	7 0.33 0.24 0.19 0.30 0.23 0.17 0.25 0.19 0.15 0.21 0.16 0.12 0.17 0.13 0.10 0.07	8 0.29 0.22 0.16 0.27 0.20 0.15 0.23 0.17 0.13 0.19 0.14 0.11 0.16 0.12 0.09 0.06	9 0.27 0.19 0.14 0.25 0.18 0.13 0.21 0.15 0.11 0.18 0.13 0.09 0.14 0.10 0.07 0.05	10 0.24 0.17 0.13 0.23 0.16 0.12 0.19 0.14 0.10 0.16 0.12 0.08 0.13 0.09 0.07 0.05

NVMV 150 WATT HSE - GLOBE AND DOME REFLECTOR		LAMP: 150W HSE						LIGHT OUTPUT UP: 2.4% LIGHT OUTPUT DOWN: 68.1%									
LUMINOUS INTENSITY DISTRIBUTION DIAGRAM 		Ceiling 80% 70% 50% 30% 10% 0	Wall 50% 30% 10% 50% 30% 10% 50% 30% 10% 50% 30% 10% 0	Floor 20% 20% 20% 20% 20% 0	RCR RCR: Room Cavity Ratio	Coefficients of Utilization (CU)	0 0.83 0.83 0.83 0.81 0.81 0.81 0.77 0.77 0.77 0.73 0.73 0.73 0.70 0.70 0.70 0.68	1 0.70 0.66 0.63 0.68 0.65 0.61 0.64 0.62 0.59 0.61 0.59 0.57 0.58 0.56 0.55 0.53	2 0.59 0.53 0.49 0.58 0.52 0.48 0.55 0.50 0.46 0.52 0.48 0.45 0.49 0.46 0.43 0.42	3 0.51 0.44 0.39 0.49 0.43 0.38 0.47 0.41 0.37 0.44 0.40 0.36 0.42 0.38 0.35 0.33	4 0.44 0.37 0.32 0.43 0.36 0.31 0.41 0.35 0.30 0.39 0.34 0.30 0.37 0.33 0.29 0.27	5 0.39 0.32 0.26 0.38 0.31 0.26 0.36 0.30 0.26 0.34 0.29 0.25 0.33 0.28 0.25 0.23	6 0.34 0.27 0.22 0.34 0.27 0.22 0.32 0.26 0.22 0.31 0.25 0.21 0.29 0.25 0.21 0.19	7 0.31 0.24 0.19 0.30 0.24 0.19 0.29 0.23 0.19 0.28 0.22 0.19 0.26 0.22 0.18 0.17	8 0.28 0.21 0.17 0.27 0.21 0.17 0.26 0.21 0.17 0.25 0.20 0.16 0.24 0.19 0.16 0.15	9 0.26 0.19 0.15 0.25 0.19 0.15 0.24 0.19 0.15 0.23 0.18 0.14 0.22 0.18 0.14 0.13	10 0.23 0.17 0.13 0.23 0.17 0.13 0.22 0.17 0.13 0.21 0.16 0.13 0.20 0.16 0.13 0.11

NVMV 150 WATT HSE - GLOBE AND 30° ANGLE REFLECTOR		LAMP: 150W HSE						LIGHT OUTPUT UP: 7.6% LIGHT OUTPUT DOWN: 64.3%									
LUMINOUS INTENSITY DISTRIBUTION DIAGRAM 		Ceiling 80% 70% 50% 30% 10% 0	Wall 50% 30% 10% 50% 30% 10% 50% 30% 10% 50% 30% 10% 0	Floor 20% 20% 20% 20% 20% 0	RCR RCR: Room Cavity Ratio	Coefficients of Utilization (CU)	0 0.84 0.84 0.84 0.81 0.81 0.81 0.76 0.76 0.76 0.71 0.71 0.71 0.66 0.66 0.66 0.64	1 0.69 0.65 0.61 0.67 0.63 0.60 0.62 0.59 0.56 0.58 0.55 0.53 0.54 0.52 0.50 0.48	2 0.59 0.53 0.48 0.57 0.51 0.46 0.53 0.48 0.44 0.49 0.45 0.42 0.46 0.43 0.40 0.38	3 0.51 0.44 0.38 0.49 0.42 0.37 0.45 0.40 0.36 0.42 0.38 0.34 0.39 0.36 0.33 0.30	4 0.44 0.37 0.32 0.43 0.36 0.31 0.40 0.34 0.30 0.37 0.32 0.28 0.35 0.31 0.27 0.25	5 0.39 0.32 0.27 0.38 0.31 0.26 0.35 0.29 0.25 0.33 0.28 0.24 0.31 0.27 0.23 0.21	6 0.35 0.28 0.23 0.34 0.27 0.22 0.32 0.26 0.22 0.30 0.25 0.21 0.28 0.23 0.20 0.18	7 0.31 0.25 0.20 0.30 0.24 0.19 0.28 0.23 0.19 0.27 0.22 0.18 0.25 0.21 0.17 0.16	8 0.28 0.22 0.17 0.28 0.21 0.17 0.26 0.20 0.17 0.24 0.20 0.16 0.23 0.19 0.15 0.14	9 0.26 0.20 0.15 0.25 0.19 0.15 0.24 0.18 0.15 0.22 0.18 0.14 0.21 0.17 0.14 0.12	10 0.24 0.18 0.14 0.23 0.17 0.14 0.22 0.17 0.13 0.21 0.16 0.13 0.20 0.15 0.12 0.11

Champ® H.I.D. Luminaires

Photometry - Small Housing:



3L