

Compact & Rugged, Class I, Zone 1, Div. 1 Explosionproof Luminaire

Introducing a compact, affordable, explosionproof luminaire that has the best overall temperature performance ratings in its class!

Cooper Crouse-Hinds EVLS Hazard•Gard® is perfect as a general area lighting workhorse where space constraints exist. EVLS Hazard•Gard® is easy to install, 175 watts and less, has select options that are just right for your budget — AND it's Class I, Division 1, Group B with GB option!

Applications:

Cooper Crouse-Hinds EVLS Hazard•Gard Lighting Fixtures are used for general lighting and task lighting in:

- Areas where flammable or explosive vapors or gases are present
- Confined spaces or heavy process industry facilities
- Petroleum refineries; chemical, petrochemical and pharmaceutical plants; oil terminals; gas plants
- Waste treatment facilities
- Drilling platforms and other coastal and offshore hazardous areas

Features:

- Compact and rugged - a Division 1 luminaire that fits in tight spaces
- Smooth turning two start Acme threads for mounting modules and globe attachments save time and eliminate installation damage
- Quick-connect design facilitates easy installation and saves money - install and wire the mounting module, and then screw in luminaire to make the electrical connection
- Best overall T-rating in the industry for a medium-base HID lamp - use in elevated ambient and illuminate the most volatile areas of your facility - optimal safety in your high-risk areas
- Factory-sealed - wired and sealed with no external sealing fittings required in Groups B, C, and D
- An adapter module is available for direct connection to existing Hazard•Gard modules such as the EV22 ceiling mount

Certification & Compliances:

UL (844) and cUL Listed (CSA C22.2 No. 137) for:

- Class I, Division 1, Groups B (with suffix GB), C, D
- Class I, Zone 1, Group IIB + H₂ (with suffix GB)
- Class II, Class III & Simultaneous Presence
- Wet locations (UL1598), Marine locations (UL1598A), Type 4X, IP66

Standard Materials:

- Bodies, mounting modules and cast guards – copper-free aluminum
- Wire guard – stainless steel
- Globe – heat- and impact-resistant glass
- Gaskets – silicone and neoprene

Standard Finishes:

- Epoxy powder coat paint

Ratings (Electrical Size):

Sources/Wattages:

- HID Medium Base (initial offering)
HPS: 50, 70, 100, 150 watt
Metal Halide: 70, 100, 175 watt
Pulse Start Metal Halide: 150, 175 watt

Voltages:

- Multi-tap (120, 208, 240, 277V/60 Hz)
- 480V/60 Hz
- Tri-tap (120, 277, 347V/60 Hz)
- 220V/60 Hz
- 220/240V (or 230V)/50 Hz

Transformer Types:

- HX-HPF Standard
- CWA Standard on 175W
CWA Constant Wattage Autotransformer
CWI Constant Wattage Insulation Transformer
Available for HPS and MH, for most voltages and wattages (Additional voltages available on request.)

Conduit Entries:

- ¾" and 1" NPT – pendant, ceiling and wall mount
- 1½" NPT – stanchion

Options:

Description	Suffix
• Instant Restrike (HPS)	IR
• Ballast-Gard™ (HPS)	BG
• Group B Suitability	GB

Accessories:

Description	Suffix
• Dome Reflector	RD725
• Angle Reflector	RA725
• Guard	EV502 or P515



Two Start Acme Threads



Quick Connect Design



Adapter Module Available

4L EVLS Hazard•Gard®

Cl. I, Div. 1, Groups B
(with suffix GB), C, D
Cl. I, Zone 1, Group IIB + H₂
(with suffix GB)
Cl. II, Cl. III & Simultaneous Presence

UL and cUL Listed
Wet locations (UL1598),
Marine locations (UL1598A)
Type 4X, IP66

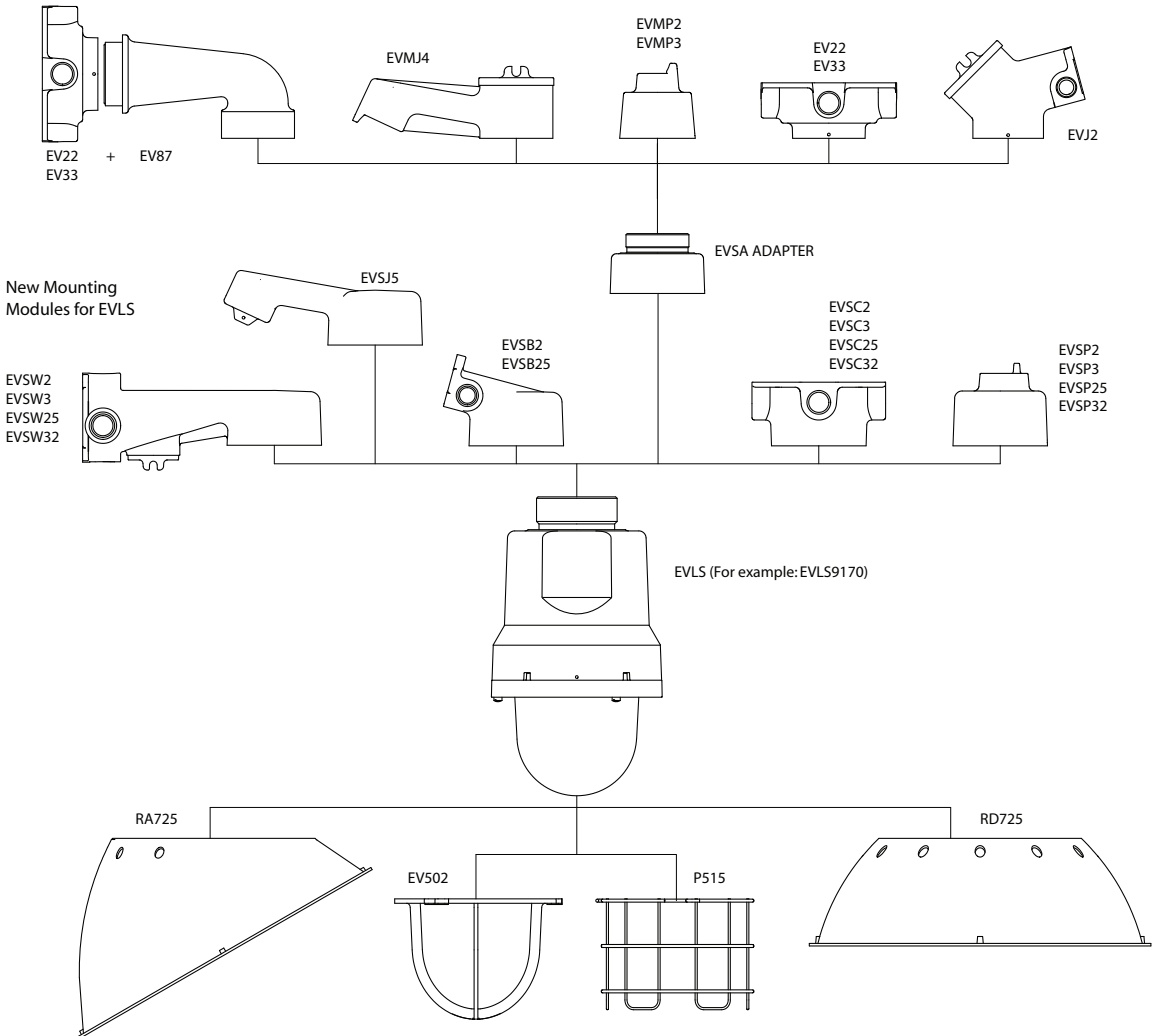
Compact & Rugged, Class I, Zone 1, Div. 1 Explosionproof Luminaire

Mounting Modules:

Existing For EVI, EVLP, EVM (must use EVSA adapter)			New Mounting Modules	
Type	Conduit	Catalog Number	For EVLS Only	
			Conduit	Catalog Number
Adapter		EVSA		
Pendant	¾"	EVMP2	¾"	EVSP2
	1"	EVMP3	1"	EVSP3
Ceiling & Wall Box	25mm		25mm	EVSP25
	32mm		32mm	EVSP32
	¾"	EV22	¾"	EVSC2
	1"	EV33	1"	EVSC3
Wall Bracket Arm	25mm		25mm	EVSC25
	32mm		32mm	EVSC32
	¾"	EV87	¾"	EVSW2
	1"		EVSW3	
25mm	EVSW25			
32mm	EVSW32			
Stanchion	1½"	EVMJ4	1½"	EVSJ5
Bulkhead	1¼"	EVJ2	¾"	EVSJ2
			25mm	EVSB25

Family Tree:

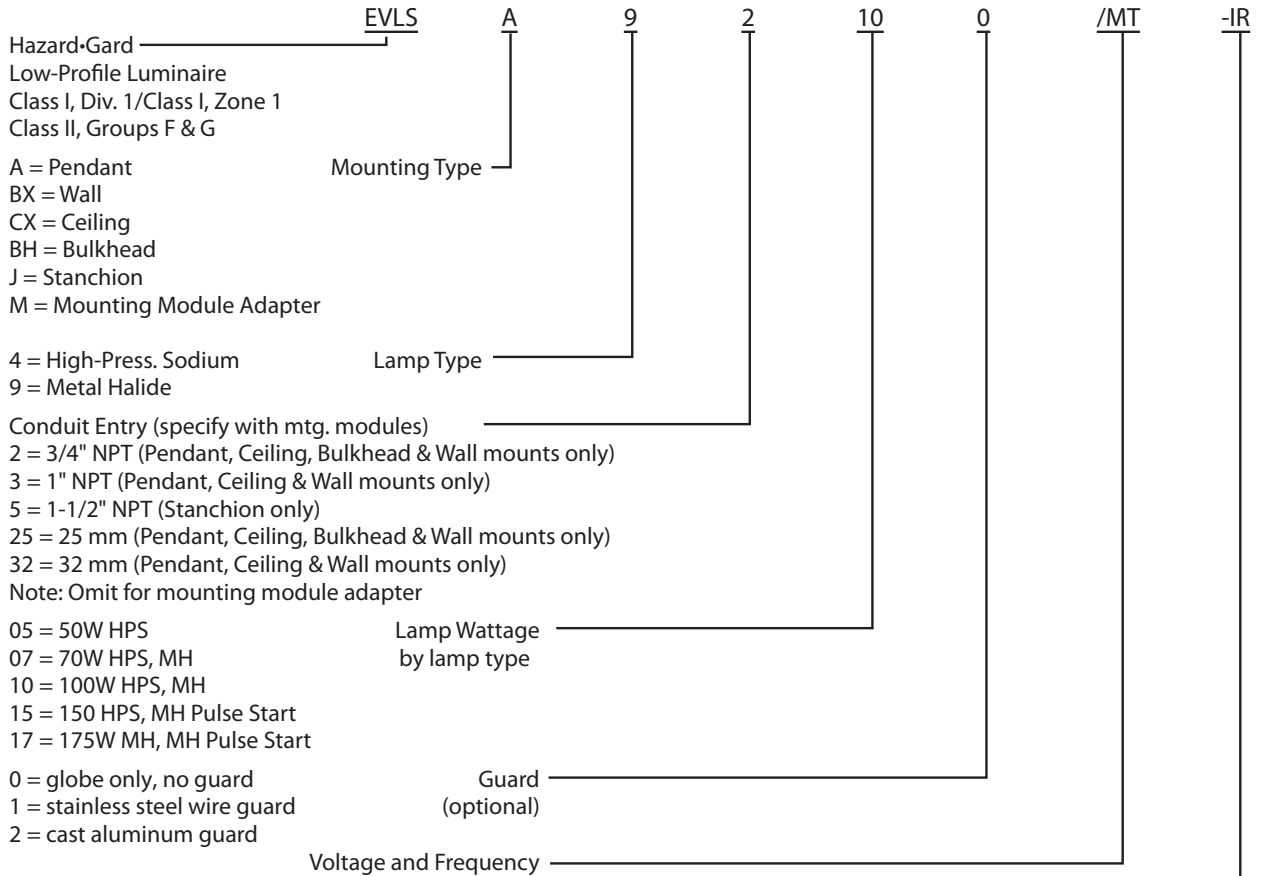
Existing Mounting Modules used on EVI, EVLP, EVM (must use EVSA adapter)



4L

**Compact & Rugged, Class I, Zone 1,
Div. 1 Explosionproof Luminaire**

Ordering Reference Sheet:

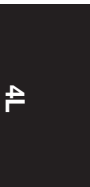


	HPS				MH				
	50	70	100	150	70	100	150 PS	175	175 PS
DT	x								
MT		x	x	x	x	x	x		x
TT		x	x	x	x	x		x	x
120	x	x	x	x	x	x	x		x
208		x	x	x	x	x	x		x
220		x	x	x	x				
220 50	x	x	x	x	x	x	x		
240		x	x	x	x	x	x		x
240 50	x	x	x	x	x	x	x		
277	x	x	x	x	x	x	x		x
347		x	x	x	x	x			x
480		x	x	x		x			x

- BG = Ballast Guard (lamp type S only)
- CWI = SCE Ballast
- GB = Group B suitability
- IR = Instant Restrike (lamp type S only)
- S828 = Pulse Start (175W & 150W MH only)

Options

Note: BG and IR options cannot be installed together.



4L EVLS Hazard•Gard®

Cl. I, Div. 1, Groups B
(with suffix GB), C, D
Cl. I, Zone 1, Group IIB + H₂
(with suffix GB)
Cl. II, Cl. III & Simultaneous Presence

UL and cUL Listed
Wet locations (UL1598),
Marine locations (UL1598A)
Type 4X, IP66

Compact & Rugged, Class I, Zone 1, Div. 1 Explosionproof Luminaire

Temperature Performance Data:

Watts	Ambient Temp °C	Class I, Div. 1 & Zone 1	Class II (Dust) and Class III	Supply Wire Temp °C
High Pressure Sodium				
50W	40	T5	T5	90
	55	T4A	—	90
	65	T4A	—	105
70W	40	T5	T5	90
	55	T4A	—	90
	65	T4A	—	105
100W	40	T4A	T3C	90
	55	T4	—	90
	65	T4	—	105
150W	40	T4A	T3C	90
	55	T4	—	90
Metal Halide (including Pulse Start [PS] as indicated)				
70W	40	T5	T4A	90
	55	T4A	—	90
	65	T4A	—	105
100W	40	T4A	T4	90
	55	T4A	—	90
	65	T4	—	105
150 PS	40	T3C	—	90
175W	40	T3C	—	90
175 PS	40	T3C	—	90

Net Luminaire Weights (lbs.):

Luminaire Series	Lamp Watts	Weight with Globe & Wire Guard
High Pressure Sodium		
EVLS4	50W	18.5
	70W	21.5
	100W	22.5
	150W	24
Metal Halide		
EVLS9	70W	20
	100W	20.5
	150 PS	23
	175W	23
	175 PS	23
Add for cast guard:		1
Add for mounting modules:		
Pendant		2
Ceiling		3.5
Stanchion		3
Bulkhead		2.5
Wall		5.5
Adapter		2
Add for reflectors:		
Dome		1.5
Angle		2

4L

**Compact & Rugged, Class I,
Zone 1, Div. 1 Explosionproof Luminaire**

Ordering Information – High Pressure Sodium:



PENDANT

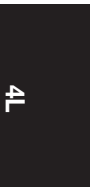
BULKHEAD

Wattage	Hub Size	PENDANT			BULKHEAD		
		No Guard	Wire Guard	Cast Guard	No Guard	Wire Guard	Cast Guard
50W	3/4"	EVLSA42050	EVLSA42051	EVLSA42052	EVLSBH42050	EVLSBH42051	EVLSBH42052
	1"	EVLSA43050	EVLSA43051	EVLSA43052			
	1 1/2"						
	25 mm	EVLSA425050	EVLSA425051	EVLSA425052	EVLSBH425050	EVLSBH425051	EVLSBH425052
70W	32 mm	EVLSA432050	EVLSA432051	EVLSA432052			
	3/4"	EVLSA42070	EVLSA42071	EVLSA42072	EVLSBH42070	EVLSBH42071	EVLSBH42072
	1"	EVLSA43070	EVLSA43071	EVLSA43072			
	1 1/2"						
100W	25 mm	EVLSA425070	EVLSA425071	EVLSA425072	EVLSBH425070	EVLSBH425071	EVLSBH425072
	32 mm	EVLSA432070	EVLSA432071	EVLSA432072			
	3/4"	EVLSA42100	EVLSA42101	EVLSA42102	EVLSBH42100	EVLSBH42101	EVLSBH42102
	1"	EVLSA43100	EVLSA43101	EVLSA43102			
150W	1 1/2"						
	25 mm	EVLSA425100	EVLSA425101	EVLSA425102	EVLSBH425100	EVLSBH425101	EVLSBH425102
	32 mm	EVLSA432100	EVLSA432101	EVLSA432102			
	3/4"	EVLSA42150	EVLSA42151	EVLSA42152	EVLSBH42150	EVLSBH42151	EVLSBH42152
150W	1"	EVLSA43150	EVLSA43151	EVLSA43152			
	1 1/2"						
	25 mm	EVLSA425150	EVLSA425151	EVLSA425152	EVLSBH425150	EVLSBH425151	EVLSBH425152
	32 mm	EVLSA432150	EVLSA432151	EVLSA432152			

Complete catalog number as follows:

Standard Voltage Ballasts

	NEC/UL			CEC/CSA (cUL)					Export			
Voltage	Multi-tap	120V	480V	Tri-Tap	120V	208V CWI	240V CWI	480V CWI	600V CWI	220V 60 Hz	220V 50 Hz	240V 50 Hz
Suffix	/MT	/120	/480	/TT	/120	/208CWI	/240CWI	/480CWI	/600CWI	/220	/220 50	/240 50



4L EVLS Hazard•Gard®

Cl. I, Div. 1, Groups B
(with suffix GB), C, D
Cl. I, Zone 1, Group IIB + H₂
(with suffix GB)
Cl. II, Cl. III & Simultaneous Presence

UL and cUL Listed
Wet locations (UL1598),
Marine locations (UL1598A)
Type 4X, IP66

**Compact & Rugged, Class I, Zone 1,
Div. 1 Explosionproof Luminaire**

Ordering Information — High Pressure Sodium (Cont'd):



WALL

CEILING

Wattage	Hub Size	No Guard	Wire Guard	Cast Guard	No Guard	Wire Guard	Cast Guard
50W	3/4"	EVLSBX42050	EVLSBX42051	EVLSBX42052	EVLSCX42050	EVLSCX42051	EVLSCX42052
	1"	EVLSBX43050	EVLSBX43051	EVLSBX43052	EVLSCX43050	EVLSCX43051	EVLSCX43052
	1 1/2"						
	25 mm	EVLSBX425050	EVLSBX425051	EVLSBX425052	EVLSCX425050	EVLSCX425051	EVLSCX425052
	32 mm	EVLSBX432050	EVLSBX432051	EVLSBX432052	EVLSCX432050	EVLSCX432051	EVLSCX432052
70W	3/4"	EVLSBX42070	EVLSBX42071	EVLSBX42072	EVLSCX42070	EVLSCX42071	EVLSCX42072
	1"	EVLSBX43070	EVLSBX43071	EVLSBX43072	EVLSCX43070	EVLSCX43071	EVLSCX43072
	1 1/2"						
	25 mm	EVLSBX425070	EVLSBX425071	EVLSBX425072	EVLSCX425070	EVLSCX425071	EVLSCX425072
	32 mm	EVLSBX432070	EVLSBX432071	EVLSBX432072	EVLSCX432070	EVLSCX432071	EVLSCX432072
100W	3/4"	EVLSBX42100	EVLSBX42101	EVLSBX42102	EVLSCX42100	EVLSCX42101	EVLSCX42102
	1"	EVLSBX43100	EVLSBX43101	EVLSBX43102	EVLSCX43100	EVLSCX43101	EVLSCX43102
	1 1/2"						
	25 mm	EVLSBX425100	EVLSBX425101	EVLSBX425102	EVLSCX425100	EVLSCX425101	EVLSCX425102
	32 mm	EVLSBX432100	EVLSBX432101	EVLSBX432102	EVLSCX432100	EVLSCX432101	EVLSCX432102
150W	3/4"	EVLSBX42150	EVLSBX42151	EVLSBX42152	EVLSCX42150	EVLSCX42151	EVLSCX42152
	1"	EVLSBX43150	EVLSBX43151	EVLSBX43152	EVLSCX43150	EVLSCX43151	EVLSCX43152
	1 1/2"						
	25 mm	EVLSBX425150	EVLSBX425151	EVLSBX425152	EVLSCX425150	EVLSCX425151	EVLSCX425152
	32 mm	EVLSBX432150	EVLSBX432151	EVLSBX432152	EVLSCX432150	EVLSCX432151	EVLSCX432152

4L

Complete catalog number as follows:

Standard Voltage Ballasts

	NEC/UL			CEC/CSA (cUL)					Export			
Voltage	Multi-tap	120V	480V	Tri-Tap 120V	208V CWI	240V CWI	480V CWI	600V CWI	220V 60 Hz	220V 50 Hz	240V 50 Hz	
Suffix	/MT	/120	/480	/TT	/120	/208CWI	/240CWI	/480CWI	/600CWI	/220	/220 50	/240 50

Compact & Rugged, Class I, Zone 1, Div. 1 Explosionproof Luminaire

Ordering Information – High Pressure Sodium (Cont'd):



STANCHION

ADAPTER

Wattage	Hub Size	No Guard	Wire Guard	Cast Guard	No Guard	Wire Guard	Cast Guard	Luminaire less mounting module and guard
50W	Adapter 1 1/2"	EVLSJ45050	EVLSJ45051	EVLSJ45052	EVLSM4050	EVLSM4051	EVLSM4052	EVLS4050
70W	Adapter 1 1/2"	EVLSJ45070	EVLSJ45071	EVLSJ45072	EVLSM4070	EVLSM4071	EVLSM4072	EVLS4070
100W	Adapter 1 1/2"	EVLSJ45100	EVLSJ45101	EVLSJ45102	EVLSM4100	EVLSM4101	EVLSM4102	EVLS4100
150W	Adapter 1 1/2"	EVLSJ45150	EVLSJ45151	EVLSJ45152	EVLSM4150	EVLSM4151	EVLSM4152	EVLS4100

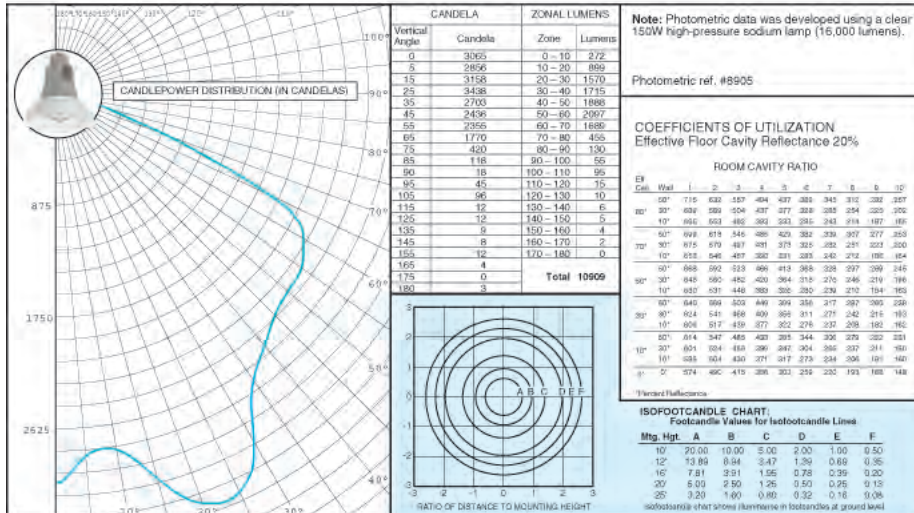
Complete catalog number as follows:

STANDARD VOLTAGE BALLASTS

	NEC/UL			CEC/CSA (cUL)					Export			
Voltage	Multi-tap	120V	480V	Tri-Tap 120V	208V CWI	240V CWI	480V CWI	600V CWI	220V 60 Hz	220V 50 Hz	240V 50 Hz	
Suffix	/MT	/120	/480	/TT	/120	/208CWI	/240CWI	/480CWI	/600CWI	/220	/220 50	/240 50

Photometrics - EVLS High Pressure Sodium

Fixture with Globe and Domed Reflector (less guard) EVLSA42150RD725
 Lamp: 150W/B17 High Pressure Sodium (HPS)



4L EVLS Hazard•Gard®

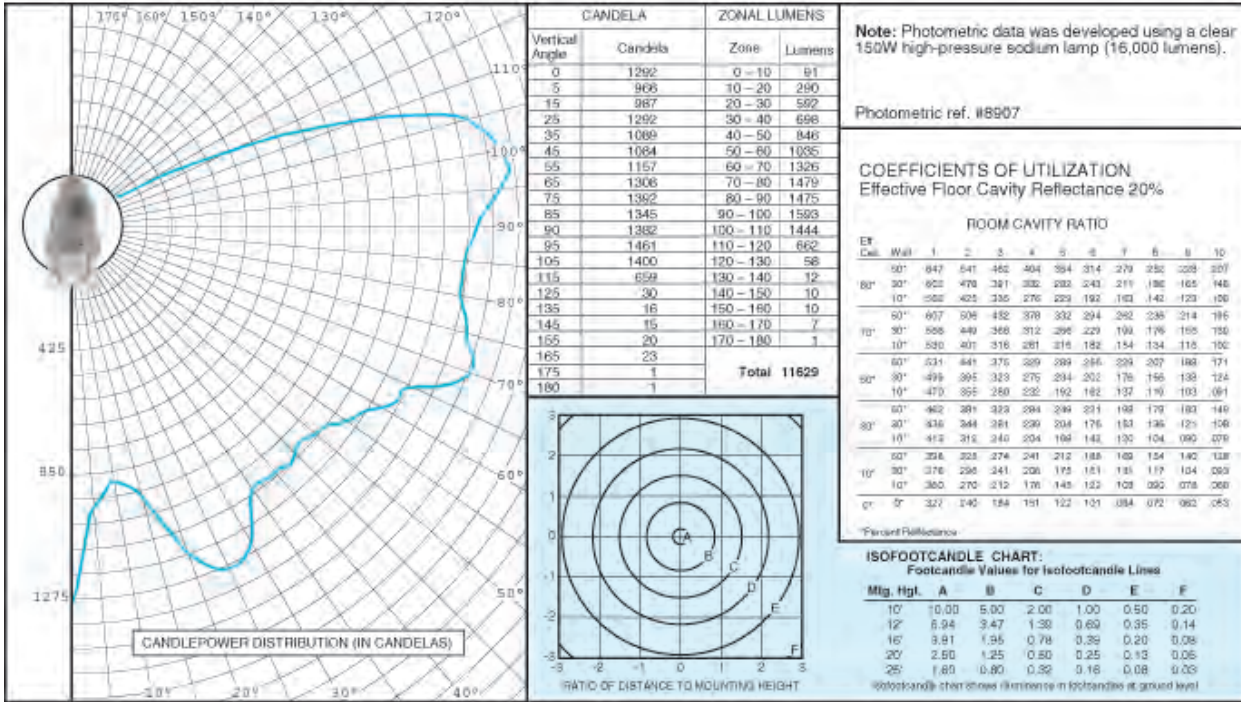
Cl. I, Div. 1, Groups B (with suffix GB), C, D
 Cl. I, Zone 1, Group IIB + H₂ (with suffix GB)
 Cl. II, Cl. III & Simultaneous Presence

UL and cUL Listed
 Wet locations (UL1598),
 Marine locations (UL1598A)
 Type 4X, IP66

**Compact & Rugged, Class I, Zone 1,
 Div. 1 Explosionproof Luminaire**

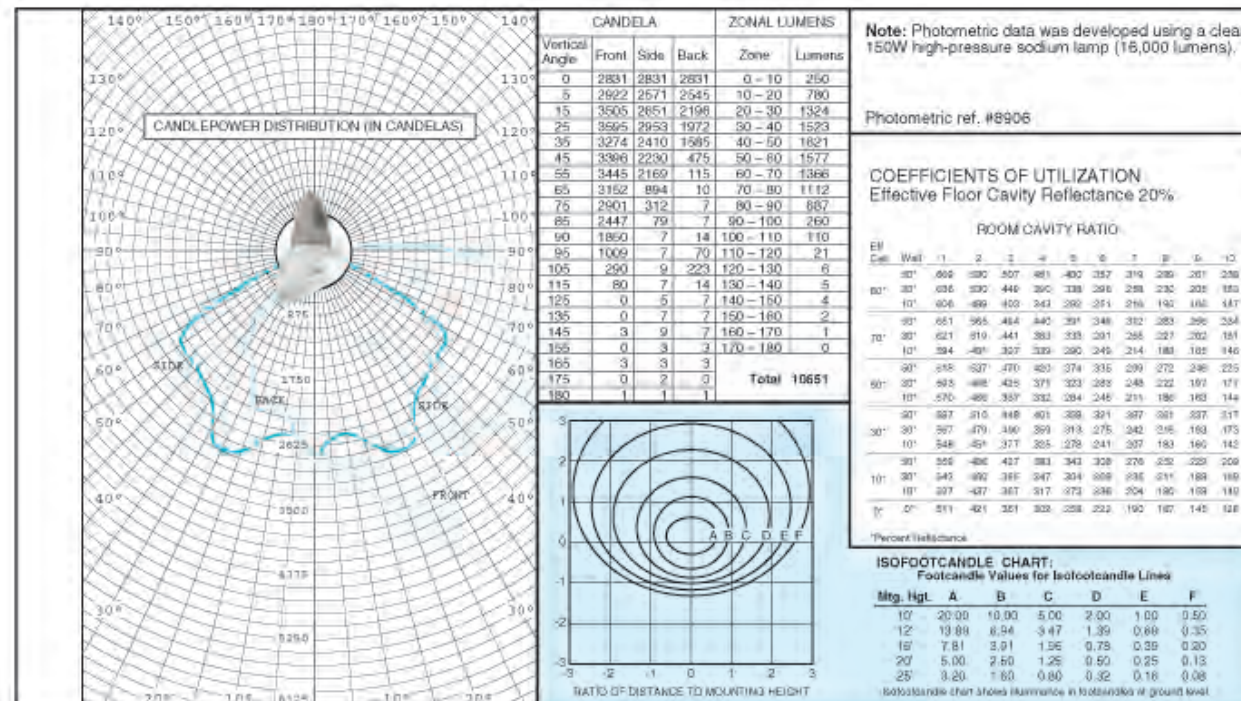
Photometrics - EVLS High Pressure Sodium:

Fixture with Globe and Guard EVLSA42151
 Lamp: 150W/B17 High Pressure Sodium (HPS)



Photometrics - EVLS High Pressure Sodium:

Fixture with Globe and Angled Reflector (less guard) EVLSA42150RA725
 Lamp: 150W/B17 High Pressure Sodium (HPS)



4L

**Compact & Rugged, Class I, Zone 1,
Div. 1 Explosionproof Luminaire**

Ordering Information — Pulse Start Metal Halide:



Wattage	Hub Size	PENDANT			BULKHEAD		
		No Guard	Wire Guard	Cast Guard	No Guard	Wire Guard	Cast Guard
150W	3/4"	EVLSA92150-S828	EVLSA92151-S828	EVLSA92152-S828	EVLSBH92150-S828	EVLSBH92151-S828	EVLSBH92152-S828
	1"	EVLSA93150-S828	EVLSA93151-S828	EVLSA93152-S828			
	1 1/2"						
	25 mm	EVLSA925150-S828	EVLSA925151-S828	EVLSA925152-S828	EVLSBH925150-S828	EVLSBH925151-S828	EVLSBH925152-S828
	32 mm	EVLSA932150-S828	EVLSA932151-S828	EVLSA932152-S828			
175W	3/4"	EVLSA92170-S828	EVLSA92171-S828	EVLSA92172-S828	EVLSBH92170-S828	EVLSBH92171-S828	EVLSBH92172-S828
	1"	EVLSA93170-S828	EVLSA93171-S828	EVLSA93172-S828			
	1 1/2"						
	25 mm	EVLSA925170-S828	EVLSA925171-S828	EVLSA925172-S828	EVLSBH925170-S828	EVLSBH925171-S828	EVLSBH925172-S828
	32 mm	EVLSA932170-S828	EVLSA932171-S828	EVLSA932172-S828			

Ordering Information — Pulse Start Metal Halide:



Wattage	Hub Size	WALL			CEILING		
		No Guard	Wire Guard	Cast Guard	No Guard	Wire Guard	Cast Guard
150W	3/4"	EVLSBX92150-S828	EVLSBX92151-S828	EVLSBX92152-S828	EVLSCX92150-S828	EVLSCX92151-S828	EVLSCX92152-S828
	1"	EVLSBX93150-S828	EVLSBX93151-S828	EVLSBX93152-S828	EVLSCX93150-S828	EVLSCX93151-S828	EVLSCX93152-S828
	1 1/2"						
	25 mm	EVLSBX925150-S828	EVLSBX925151-S828	EVLSBX925152-S828	EVLSCX925150-S828	EVLSCX925151-S828	EVLSCX925152-S828
	32 mm	EVLSBX932150-S828	EVLSBX932151-S828	EVLSBX932152-S828	EVLSCX932150-S828	EVLSCX932151-S828	EVLSCX932152-S828
175W	3/4"	EVLSBX92170-S828	EVLSBX92171-S828	EVLSBX92172-S828	EVLSCX92170-S828	EVLSCX92171-S828	EVLSCX92172-S828
	1"	EVLSBX93170-S828	EVLSBX93171-S828	EVLSBX93172-S828	EVLSCX93170-S828	EVLSCX93171-S828	EVLSCX93172-S828
	1 1/2"						
	25 mm	EVLSBX925170-S828	EVLSBX925171-S828	EVLSBX925172-S828	EVLSCX925170-S828	EVLSCX925171-S828	EVLSCX925172-S828
	32 mm	EVLSBX932170-S828	EVLSBX932171-S828	EVLSBX932172-S828	EVLSCX932170-S828	EVLSCX932171-S828	EVLSCX932172-S828

4L EVLS Hazard•Gard®

**Compact & Rugged, Class I, Zone 1,
Div. 1 Explosionproof Luminaire**

Cl. I, Div. 1, Groups B
(with suffix GB), C, D
Cl. I, Zone 1, Group IIB + H₂
(with suffix GB)
Cl. II, Cl. III & Simultaneous Presence

UL and cUL Listed
Wet locations (UL1598),
Marine locations (UL1598A)
Type 4X, IP66

Ordering Information — Pulse Start Metal Halide (Cont'd):



STANCHION

ADAPTER

Wattage	Hub Size	STANCHION			ADAPTER			Luminaire less mounting module and guard
		No Guard	Wire Guard	Cast Guard	No Guard	Wire Guard	Cast Guard	
150W	Adapter				EVLSM9150-S828	EVLSM9151-S828	EVLSM9152-S828	EVLS9150-S828
	3/4"							
	1"							
	1 1/2"	EVLSJ95150-S828	EVLSJ95151-S828	EVLSJ95152-S828				
	25 mm							
	32 mm							
175W	Adapter				EVLSM9170-S828	EVLSM9171-S828	EVLSM9172-S828	EVLS9100-S828
	3/4"							EVLS9170-S828
	1"							
	1 1/2"	EVLSJ95170-S828	EVLSJ95171-S828	EVLSJ95172-S828				
	25 mm							
	32 mm							

Complete catalog number as follows:	Standard Voltage Ballasts		
	NEC/UL		
	Voltage	Multi-tap	120V 480V
	Suffix	/MT	/120 /480

4L

**Compact & Rugged, Class I, Zone 1,
Div. 1 Explosionproof Luminaire**

Ordering Information – Metal Halide:



PENDANT

BULKHEAD

Wattage	Hub Size	Pendant			Bulkhead			
		No Guard	Wire Guard	Cast Guard	No Guard	Wire Guard	Cast Guard	
70W	3/4"	EVLSA92070	EVLSA92071	EVLSA92072	EVLSBH92070	EVLSBH92071	EVLSBH92072	
	1"	EVLSA93070	EVLSA93071	EVLSA93072				
	1 1/2"							
	25 mm	EVLSA925070	EVLSA925071	EVLSA925072	EVLSBH925070	EVLSBH925071	EVLSBH925072	
100W	32 mm	EVLSA932070	EVLSA932071	EVLSA932072				
	3/4"	EVLSA92100	EVLSA92101	EVLSA92102	EVLSBH92100	EVLSBH92101	EVLSBH92102	
	1"	EVLSA93100	EVLSA93101	EVLSA93102				
	1 1/2"							
	25 mm	EVLSA425100	EVLSA425101	EVLSA425102	EVLSBH425100	EVLSBH425101	EVLSBH425102	
	32 mm	EVLSA432100	EVLSA432101	EVLSA432102				
	175W	3/4"	EVLSA92170	EVLSA92171	EVLSA92172	EVLSBH92170	EVLSBH92171	EVLSBH92172
		1"	EVLSA93170	EVLSA93171	EVLSA93172			
1 1/2"								
25 mm		EVLSA925170	EVLSA925171	EVLSA925172	EVLSBH925170	EVLSBH925171	EVLSBH925172	
	32 mm	EVLSA932170	EVLSA932171	EVLSA932172				

Complete catalog number as follows:

Standard Voltage Ballasts

	NEC/UL			CEC/CSA (cUL)						Export		
Voltage	Multi-tap	120V	480V	Tri-Tap	120V	208V CWI	240V CWI	480V CWI	600V CWI	220V 60 Hz	220V 50 Hz	240V 50 Hz
Suffix	/MT	/120	/480	/TT	/120	/208CWI	/240CWI	/480CWI	/600CWI	/220	/220 50	/240 50



4L EVLS Hazard•Gard®

**Compact & Rugged, Class I, Zone 1,
Div. 1 Explosionproof Luminaire**

Cl. I, Div. 1, Group B
(with suffix GB), C, D
Cl. I, Zone 1, Group IIB + H₂
(with suffix GB)
Cl. II, Cl. III &
Simultaneous Presence

UL and cUL Listed
Wet locations (UL1598)
Marine locations (UL1598A)
Type 4X, IP66

Ordering Information — Metal Halide (Cont'd):



WALL

CEILING

Wattage	Hub Size	No Guard	Wire Guard	Cast Guard	No Guard	Wire Guard	Cast Guard
70W	3/4"	EVLSBX92070	EVLSBX92071	EVLSBX92072	EVLSCX92070	EVLSCX92071	EVLSCX92072
	1"	EVLSBX93070	EVLSBX93071	EVLSBX93072	EVLSCX93070	EVLSCX93071	EVLSCX93072
	1 1/2"						
	25 mm	EVLSBX925070	EVLSBX925071	EVLSBX925072	EVLSCX925070	EVLSCX925071	EVLSCX925072
	32 mm	EVLSBX932070	EVLSBX932071	EVLSBX932072	EVLSCX932070	EVLSCX932071	EVLSCX932072
100W	3/4"	EVLSBX92100	EVLSBX92101	EVLSBX92102	EVLSCX92100	EVLSCX92101	EVLSCX92102
	1"	EVLSBX93100	EVLSBX93101	EVLSBX93102	EVLSCX93100	EVLSCX93101	EVLSCX93102
	1 1/2"						
	25 mm	EVLSBX425100	EVLSBX425101	EVLSBX425102	EVLSCX925100	EVLSCX925101	EVLSCX925102
	32 mm	EVLSBX432100	EVLSBX432101	EVLSBX432102	EVLSCX932100	EVLSCX932101	EVLSCX932102
175W	3/4"	EVLSBX92170	EVLSBX92171	EVLSBX92172	EVLSCX92170	EVLSCX92171	EVLSCX92172
	1"	EVLSBX93170	EVLSBX93171	EVLSBX93172	EVLSCX93170	EVLSCX93171	EVLSCX93172
	1 1/2"						
	25 mm	EVLSBX925170	EVLSBX925171	EVLSBX925172	EVLSCX925170	EVLSCX925171	EVLSCX925172
	32 mm	EVLSBX932170	EVLSBX932171	EVLSBX932172	EVLSCX932170	EVLSCX932171	EVLSCX932172

Complete catalog number as follows:

Standard Voltage Ballasts

	NEC/UL			CEC/GSA (cUL)					Export				
Voltage	Multi-tap	120V	480V	Tri-Tap	120V	208V CWI	240V CWI	480V CWI	600V CWI	220V 60 Hz	220V 50 Hz	230V* 50 Hz	240V 50 Hz
Suffix	/MT	/120	/480	/TT	/120	/208CWI	/240CWI	/480CWI	/600CWI	/220	/220 50	/230 50	/240 50

*Available for 175W only.

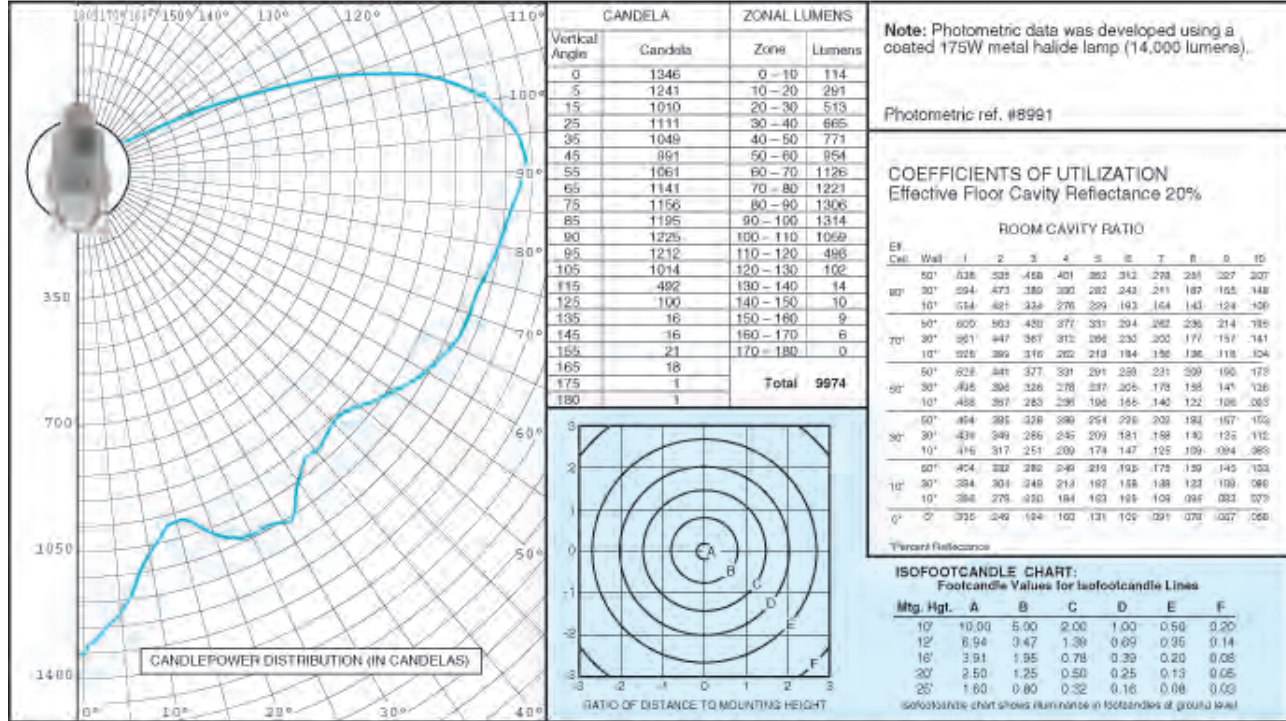
Cl. I, Div. 1, Group B
(with suffix GB), C, D
Cl. I, Zone 1, Group IIB + H₂
(with suffix GB)
Cl. II, Cl. III &
Simultaneous Presence

UL and cUL Listed
Wet locations (UL1598)
Marine locations (UL1598A)
Type 4X, IP66

**Compact & Rugged, Class I, Zone 1,
Div. 1 Explosionproof Luminaire**

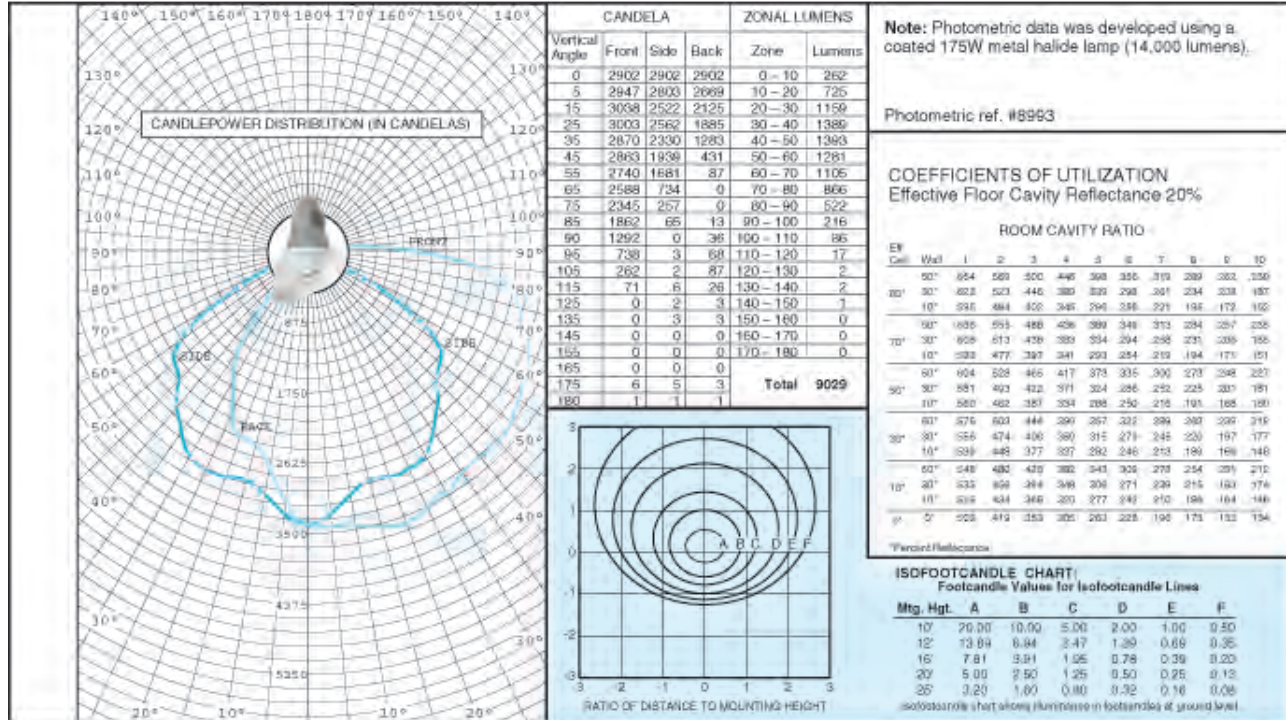
EVLS Metal Halide:

Fixture with Globe and Guard EVLSA92171
Lamp: 175W/ED17 Metal Halide (MH)



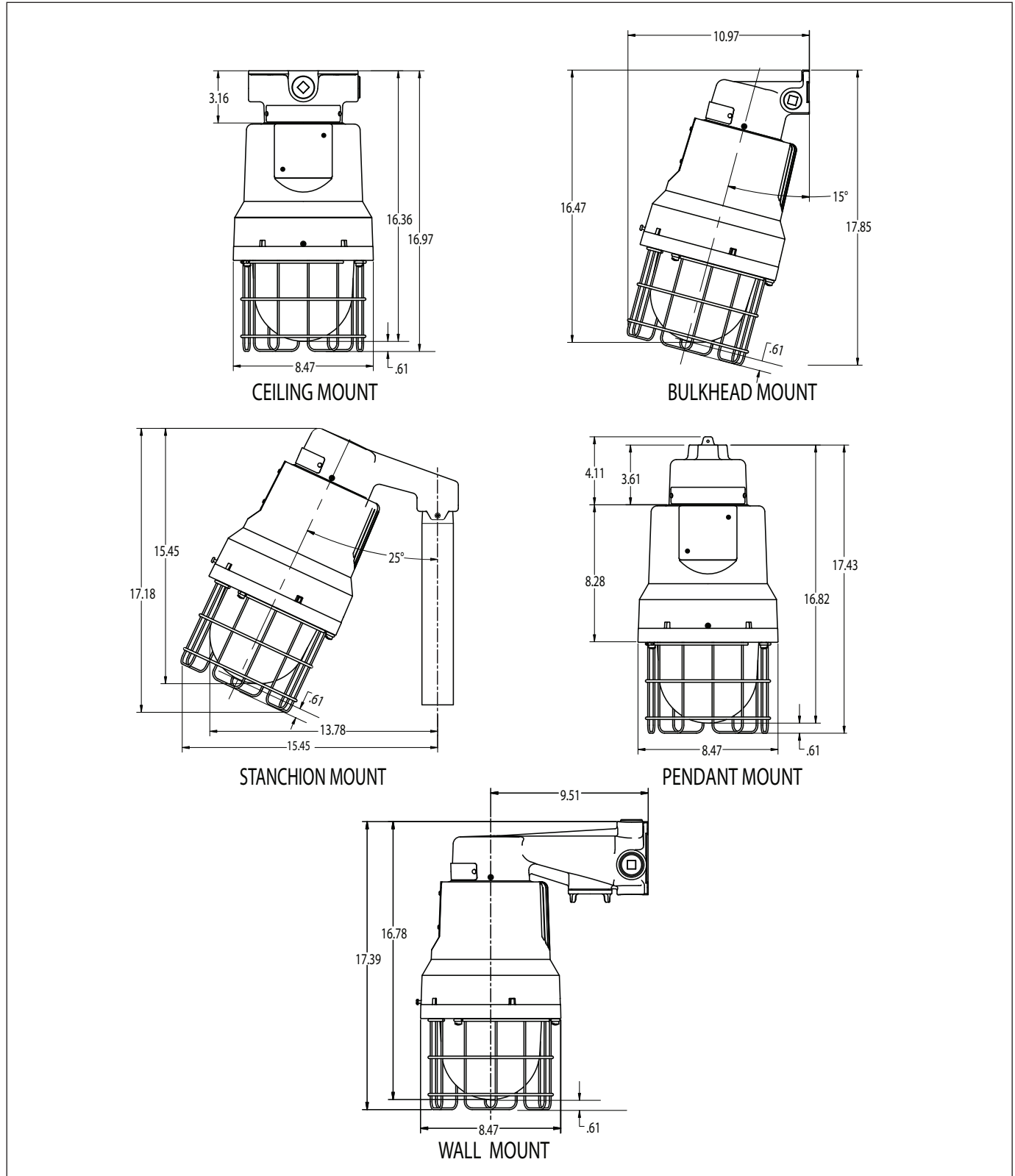
EVLS Metal Halide:

Fixture with Globe and Angled Reflector (less guard) EVLSA92170RA725
Lamp: 175W/ED17 Metal Halide (MH)



**Compact & Rugged, Class I, Zone 1,
Div. 1 Explosionproof Luminaire**

Dimensions - Shown with new mounting modules:



4L

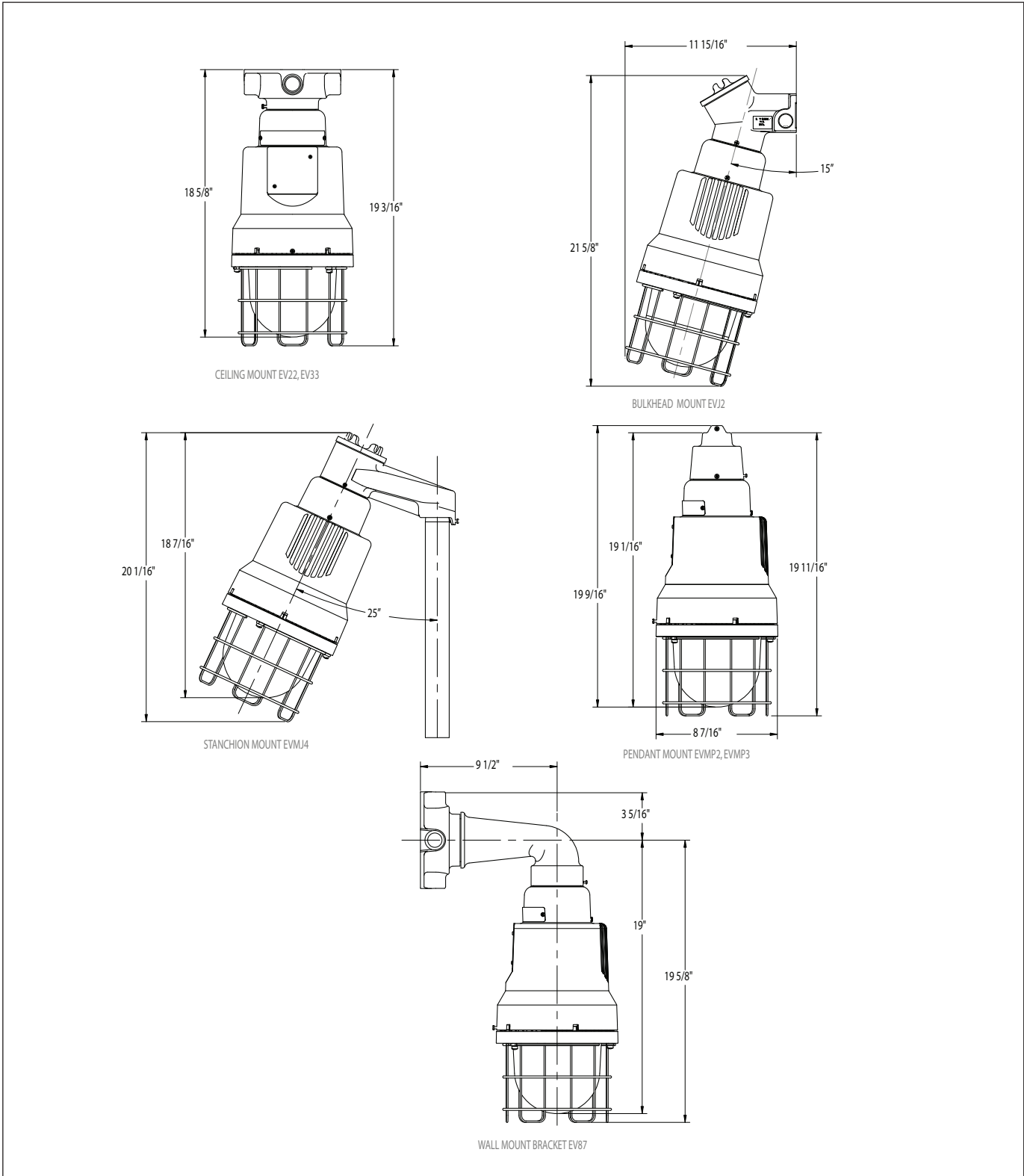
4L EVLS Hazard•Gard®

**Compact & Rugged, Class I, Zone 1,
Div. 1 Explosionproof Luminaire**

Cl. I, Div. 1, Group B
(with suffix GB), C, D
Cl. I, Zone 1, Group IIB + H₂
(with suffix GB)
Cl. II, Cl. III &
Simultaneous Presence

UL and cUL Listed
Wet locations (UL1598)
Marine locations (UL1598A)
Type 4X, IP66

Dimensions - Shown with existing mounting modules plus EVSA Adapter:



4L