

Enclosed and Gasketed

Applications:

V-Series incandescent luminaires are used:

- Indoors or outdoors in industrial locations where enclosed and gasketed fixtures are required
- In tunnels, building entrances and similar locations, where moisture, dirt, chemicals, vibration or rough usage are a problem
- For flush or surface mounting on ceiling or wall, with or without a cast outlet box, pendant or in conduit systems

Features:

- Designed to exclude dirt, moisture and corrosive vapors from the interior of the fixtures and the conduit system
- Several body styles provide a wide variety of mountings, while all use the same globes, guards and optional accessories
- Rugged and corrosion resistant

Certifications and Compliances:

- Wet locations
- NEMA: 3, 3R
- UL Standard: 1598

Standard Materials:

- Bodies – *Feraloy*® iron alloy
- Guards – copper-free aluminum
- Globes – glass
- Reflectors – *Krydon*® fiberglass-reinforced polyester material reflectors

Standard Finishes:

- *Feraloy* iron alloy – electrogalvanized and aluminum acrylic paint
- Copper-free aluminum – natural
- *Krydon*® material – high reflectance white

Options:

Description	Suffix
<i>Corro-free</i> ™ epoxy powder coat	S752
Plastic polycarbonate globe	Order separately. See below

Size Ranges:

- ¾ hubs
- Maximum wattage lamp:
 - Glass globes 150W, A23
 - Polycarbonate 75W, A33



VDA



VC



VG



VJ



VD

Description

With plain globe and guard

Without globe and guard

Cat. #
VDA2759

VDA275

Cat. #
VC2759

VC275

Cat. #
VG2759

VG275

Cat. #
VJ2759

VJ275

Cat. #
VD2759

VD275

Glass Globes and Guards



V63



V911

Color	Cat. #	Globe Size	Cat. #
Clear (heat resisting)	V63	6¾"	V911
Green	VN72		
Blue	VN73		
Red	VN75		
Amber	VN76		

Polycarbonate Globes

Applications:

Polycarbonate globes are used:

- In food processing plants, canneries, dairies, breweries and bakeries
- In emergency lighting
- Emergency police and fire alarm boxes

Features:

- Polycarbonate globes are shatterproof, preclude contamination of food products with broken particles of glass
- Comply with U.S. Dept. of Agriculture specification for food processing plants



V470

Color	Cat. #
Natural	V470
Red	V475

Accessories and Parts For V-Series

Reflectors

Krydon® – fiberglass-reinforced polyester
(Must be used with V911 Guard)



Dome



Angle

Lamp Size	Dia.	Cat. #
Dome		
50–150W	12"	RD60
30° Angle		
50–150W	12"	RA60

Note: Angle reflector cannot always be used with bracket style fixtures. Check distance from mounting surface to center of body against reflector size to determine if reflector will fit.

Receptacles (medium base)



Description	Cat. #
Medium Base Receptacle	V46

Gasket

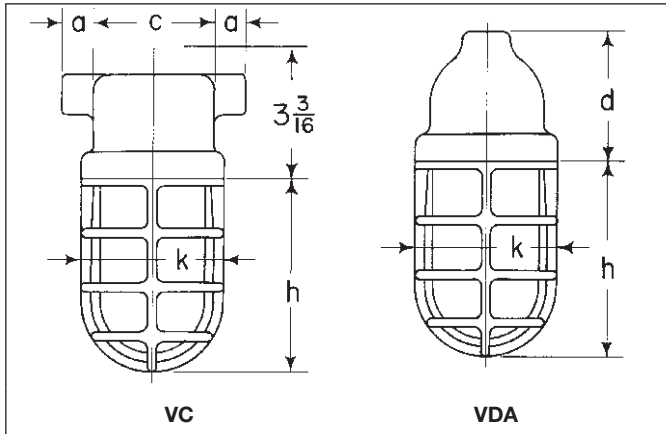


Description	Cat. #
Gasket	GASK213

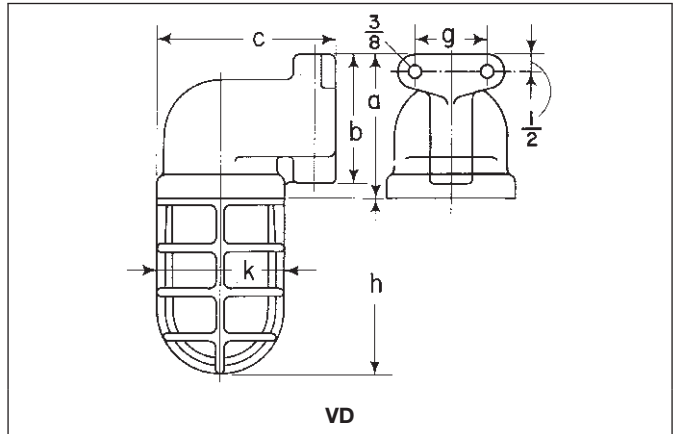
1L V-Series Incandescent Luminaires

Enclosed and Gasketed Dimensions

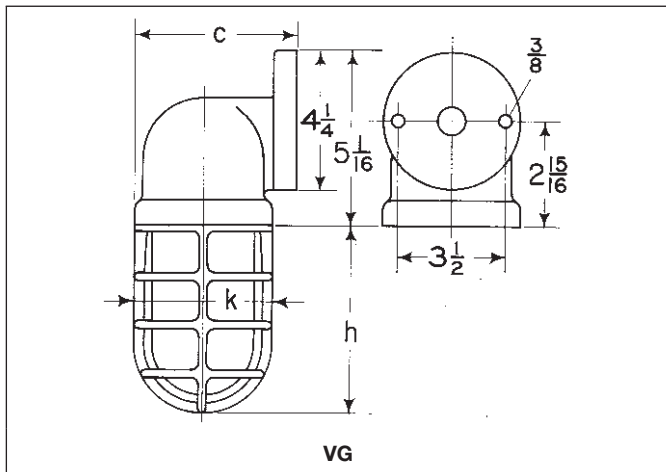
Dimensions In Inches:



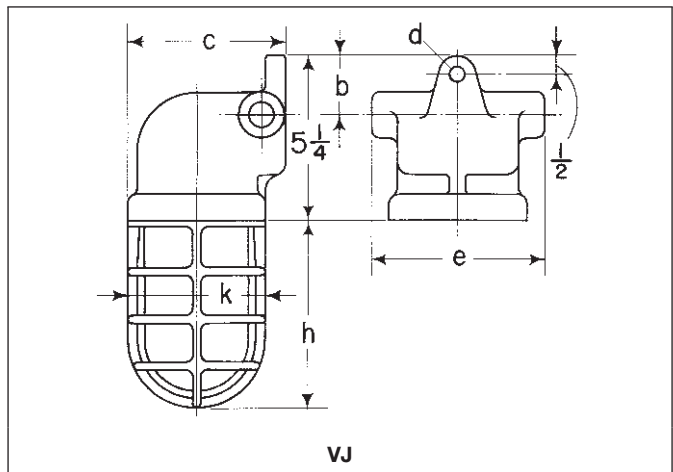
Hub Size	a	c	d	h	k
1/2	7/8	3 1/16	4	6 3/16	4 9/16
3/4	7/8	3 1/16	4	6 3/16	4 9/16



Hub Size	a	b	c	g	h	k
1/2	4 15/16	4 3/16	5 15/16	2 1/2	6 3/16	4 9/16
3/4	4 15/16	4 3/16	6 3/16	2 3/4	6 3/16	4 9/16



Hub Size	c	h	k
1/2	4 7/8	6 3/16	4 9/16
3/4	4 7/8	6 3/16	4 9/16



Hub Size	b	c	d	e	h	k
1/2	1 13/16	4 7/8	3/8	5 3/8	6 3/16	4 9/16
3/4	1 13/16	4 7/8	3/8	5 3/8	6 3/16	4 9/16

1L

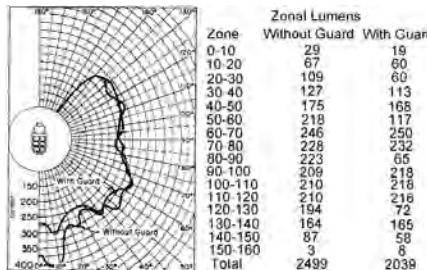
Enclosed and Gasketed

Luminaires V-Series

Lamp: 150W/A23 Clear

Total Bare Lamp Lumens: 2800

All data provided is for 150W incandescent lamp. Use following candela/lumen multipliers for the other lamp sizes: 100W – 0.61



Example: Zonal lumens for 150W lamp for 0–40° with guard is 252.

Coefficient of Utilization

Effective Floor Cavity Reflectance 20%

% Reflectance Eff. Ceil.	Wall	Room Cavity Ratio				
		1	2	3	4	5
80	50	.659	.558	.479	.416	.361
	30	.623	.504	.417	.349	.298
	10	.591	.458	.367	.298	.248
70	50	.609	.515	.442	.384	.336
	30	.577	.466	.386	.324	.275
	10	.545	.426	.342	.278	.230
50	50	.515	.434	.372	.321	.282
	30	.491	.397	.328	.274	.234
	10	.469	.364	.293	.238	.197
30	50	.429	.359	.307	.264	.232
	30	.411	.332	.274	.228	.194
	10	.395	.307	.245	.198	.165
10	50	.350	.290	.246	.211	.185
	30	.337	.269	.221	.183	.156
	10	.325	.251	.199	.160	.132

% Reflectance Eff. Ceil.	Wall	Room Cavity Ratio				
		6	7	8	9	10
80	50	.325	.290	.261	.236	.211
	30	.259	.227	.199	.176	.153
	10	.212	.183	.157	.136	.116
70	50	.299	.268	.241	.219	.194
	30	.240	.210	.186	.164	.143
	10	.197	.170	.146	.127	.108
50	50	.252	.226	.203	.185	.165
	30	.205	.178	.158	.140	.122
	10	.169	.145	.125	.109	.092
30	50	.208	.186	.169	.153	.137
	30	.170	.149	.131	.117	.101
	10	.141	.121	.105	.091	.076
10	50	.167	.151	.135	.124	.110
	30	.136	.121	.106	.094	.081
	10	.114	.098	.084	.073	.060

