

Ex-Lite LED Exit Signs

Cl. I, Div. 2, Groups A, B, C, D
 Cl. I, Zone 1, AEx em ib IIC (NEC)
 Cl. I, Zone 1, Ex em ib IIC (CEC)
 Cl. II, Div. 2, Groups F, G (NEC)
 Cl. II, Div. 2, Groups E, F, G (CEC)

UL Listed
 IP66

10L

The Ex-Lite Series of LED exit signs are designed for hazardous locations and are ideally suited for marking escape routes and exits in potentially explosive atmospheres.

The Ex-Lite Z is available as an AC only version, while the Ex-Lite ZE is available with self-contained battery. As an emergency lighting luminaire with self-contained battery system, the Ex-Lite ZE features a nickel cadmium battery with automatic test and monitoring feature.

Applications:

- In harsh and hazardous environments where illuminated exit signs are required

Features and Benefits:

LED Technology:

- Long life (>50K hours) for years of maintenance-free operation
- Energy-efficient for lower cost of operation
- Low temperature operation with no loss of illumination
- Rugged and durable light source for the harshest of environments

Exit Sign System:

- Can be used in a hazardous location
- Conduit or cable entry
- Can be installed in moist, humid, rain, and wet environments
- Universal input voltage 110VAC-277VAC and 110VDC-250VDC reduces inventory
- Ex-Lite ZE with self-monitoring, self-diagnostic, and test capability
- Premium heavy-duty nickel cadmium battery
- 24-hour charge and recharge time increases safety by recovering quickly from outage
- "EXIT" legend with alternative wings - left, right, or left and right; simple field modification
- Emergency lighting cycle three hours
- The housing of the luminaire is constructed with a corrosion resistant, robust, lightweight aluminum alloy material and illumination of the sign is provided with red, high-efficient LEDs

Certifications and Compliances:

- Class I, Division 2, Groups A, B, C, D
- Class I, Zone 1, AEx em ib IIC (NEC)
- Class I, Zone 1, Ex em ib IIC (CEC)
- Class II, Division 2, Groups F, G (NEC)
- Class II, Division 2, Groups E, F, G (CEC)
- IP66
- UL844
- UL924/CSA22.2 No. 141-02
- UL60079/CSA22.2 E60079
- UL1203/CSA22.2 E6124-1-1-02



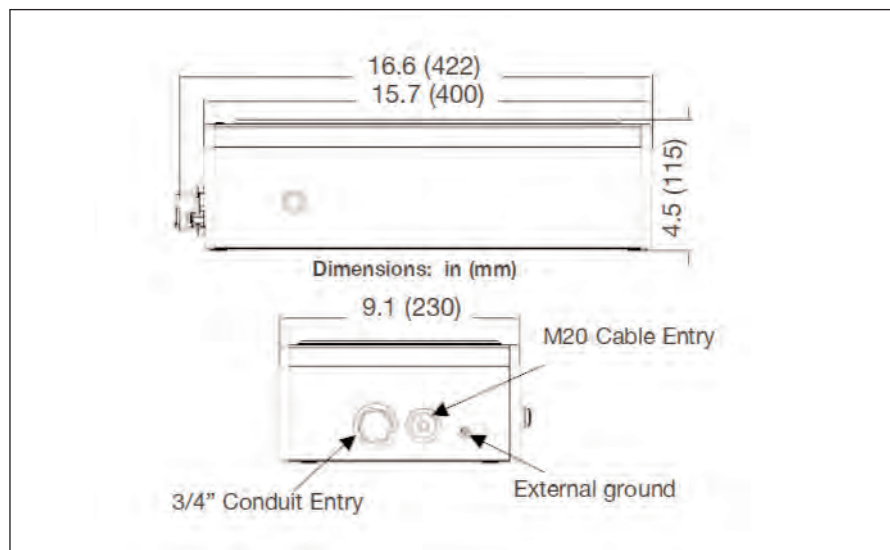
Ordering Information:

Catalog Number	Ex Lite Z	Ex Lite ZE
Material Number	12191001005	12191130005
Description	AC/DC Exit Sign	with Battery
Light Source	LED	LED
Life of LED	50K hours	50K hours
Rated Voltage, VAC	120V-277V	120V-277V
Frequency, Hz	50/60	50/60
Rated Voltage, DC	110V-250V	110V-250V
Power Consumption	6VA	6VA
Battery	N/A	NiCad
Allowable Temperature Range	-4°F to 122°F (-20°C to 50°C)	41°F to 95°F (5°C to 35°C)*
Mounting	Wall	Wall
Cable Entry	Ex-e	Ex-e
Conduit Entry	3/4"	3/4"
Protection	IP66	IP66

*Due to battery chemistry, the charging capacity will be limited at temperatures below 5°C and above 35°C.

Dimensions

In (mm):



10L