

EVL PFB Emergency Compact Fluorescent

Continuous Operation Low Profile Luminaires

Cl. I, Div. 1, Groups B (GB Suffix), C, D
 Cl. I, Zone 1, Groups IIB + H₂ (GB suffix), IIB, IIA
 Cl. II, Div. 1, Groups E, F, G; Class III, Simultaneous Presence

Marine & Wet Locations
 3, 3R, 4, 4X; IP66
 Emergency Lighting

10L

Applications:

Cooper Crouse-Hinds Low Profile Hazard•Gard® Luminaires are used in:

- Areas that require lamps to reach full illumination immediately
- Where emergency lighting is required to permit workers in industrial areas to safely encounter their surroundings during power failures
- Where emergency lighting is required such as: catwalks, walkways, tunnels, doorways, stairs, stairwells, ramps, and aisles
- Areas where flammable or explosive vapors or gases are present
- Hazardous areas, both indoors and outdoors, where long life and low maintenance costs are desired
- Petroleum refineries, chemical, petrochemical and pharmaceutical plants, oil terminals, gas plants and other heavy process industry facilities
- Waste treatment facilities
- Drilling platforms and other coastal and offshore hazardous areas

Features and Benefits:

- Small, compact size
- Two start Acme threaded construction
- Easier assembly, installation, and maintenance
- Lightweight copper-free aluminum housing with powdered epoxy finish
- All exterior hardware is corrosion-resistant stainless steel
- Four mounting arrangements: pendant, ceiling, wall bracket, and stanchion
- Integral ballast
- High power factor (90%+) ballasts
- Uses same mounting modules as the standard Hazard•Gard®
- Internally fluted glass globes
- Krydon® construction dome and angle reflectors – won't rust, corrode, dent, chip, or peel
- Now available in components – luminaire body, mounting module, guard, reflectors
- Three wire construction
- For energy conservation, luminaires can be switched off without affecting the emergency operation feature

Certifications and Compliances:

- NEC/CEC:
 - Class I, Division 1, Groups B (with GB suffix), C, D
 - Class I, Zone 1, Groups IIB + H₂ (GB Suffix), IIB, IIA
 - Class II, Class III & Simultaneous Presence (Class I and Class II)
- Emergency Lighting
- UL Standards:
 - 844 Hazardous (Classified) Locations
 - 1598 Luminaires
 - 1598A Marine Locations
 - 924 Emergency Lighting
- CSA Standards:
 - C22.2 No. 137



Standard Materials:

- Mounting modules, cover, ballast housing, globe holder – copper-free aluminum
- Globe – heat- and impact-resistant glass
- Exterior hardware – stainless steel
- Reflectors (dome & angle) – Krydon® fiberglass-reinforced polyester

Standard Finishes:

- Copper-free aluminum – Corro-free™ powdered epoxy
- Krydon – white
- Stainless steel guard

Energy Savings

- Less wattage used with compact fluorescent lamps compared to equivalent incandescent lamps providing the same light output

Options:

Description	Suffix
Group B suitability	GB
Fused (not for use in Canada) (not for marine use)	S658*
Factory assembled with lamps	FA
Emergency operation only – Consult Cooper Crouse-Hinds	

*When ordering fuses for luminaires, option S658, you must specify the operating voltage. S658 cannot be ordered with /MT in the catalog number.

Accessories:

Description	Cat. #
Dome reflector	RD739
Angle reflector	RA739

About the Battery:

- Bodine fluorescent battery pack ballasts are UL component recognized
- Sealed, maintenance-free, high temperature nickel cadmium
- Solid state chargers are sealed inside the ballast case; 90 minute illumination time; 10-year life expectancy
- 2-year warranty
- During emergency use, 1 lamp has continuous operation
- A red indicator light indicates the battery is charging
- Wiring instructions for a "Push-to-Test" button is supplied with the fixture

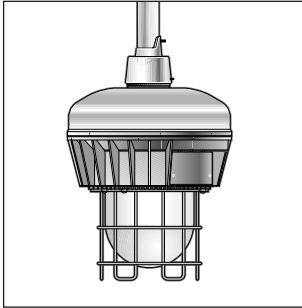
10L

EVLPFB Emergency Compact Fluorescent

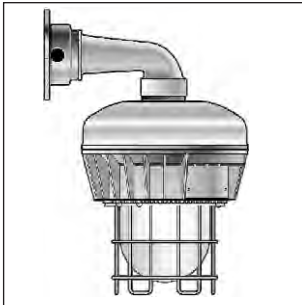
**Continuous Operation
Low Profile Luminaires**

Cl. I, Div. 1, Groups B (GB Suffix), C, D
Cl. I, Zone 1, Groups IIB + H₂
(GB suffix), IIB, IIA
Cl. II, Div. 1, Groups E, F, G; Class III,
Simultaneous Presence

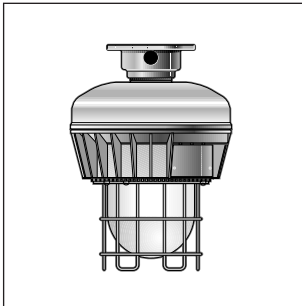
Marine & Wet
Locations
3, 3R, 4, 4X; IP66
Emergency Lighting



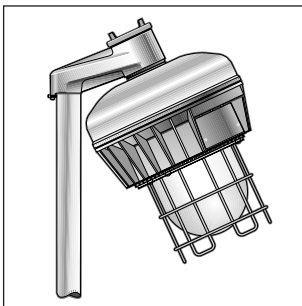
Pendant Mount



Wall Bracket Mount†



Ceiling Mount†



Stanchion Mount

Ordering Information:

Watt	Hub Size (In.)	Pendant	Wall Bracket†	Ceiling†	Stanchion	Luminaire Body Less Mounting Module & Guard
		With Guard Cat. #	With Guard Cat. #	With Guard Cat. #	With Guard Cat. #	Cat. #
Fluorescent with Emergency Ballast – High Power Factor Ballast (Min. P.F. 90%)						
52W	3/4	EVLPFBA02521	EVLPFBBX02521	EVLPFBCX02521		EVLPFB0520
	1/4	EVLPFBA03521	EVLPFBBX03521	EVLPFBCX03521	EVLPFBJ04521	
64W	3/4	EVLPFBA02641	EVLPFBBX02641	EVLPFBCX02641		EVLPFB0640
	1/4	EVLPFBA03641	EVLPFBBX03641	EVLPFBCX03641	EVLPFBJ04641	

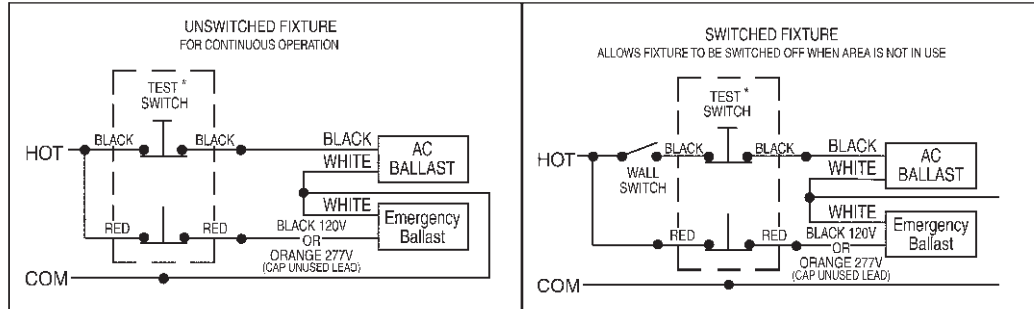
Complete Catalog Numbers as follows:

1. Voltage Suffix	Standard Voltage Ballasts	
	NEC/UL	CEC/CSA (cUL)
	120-277V 50-60 Hz /UNV	120V/60 Hz /120CAN 347V 60 Hz /347
2. Example: EVLPFB02521/UNV Other Voltages – Consult Cooper Crouse-Hinds		

Note: For technical information on family trees, temperature performance data, dimensions, weights, and photometrics, refer to DMVF Series in Section 6L.

EVFPFB Fluorescent Emergency Lighting

- Three wire construction, for switching purposes, is standard on fluorescent emergency lighting.
- For energy conservation, luminaires can be switched off without affecting the emergency operation feature.



*Test switch is remote mounted.
Use Cooper Crouse-Hinds EDSC218 (Not furnished).

†Ceiling and bracket mounts have 4 hubs: 3 are plugged.