

The Champ FMV1000 Series High Wattage Floodlight is the best in its class with heavy-duty vapor-tight housing designed exclusively for harsh industrial areas requiring broad area lighting.

The FMV1000 Series Floodlight boasts restricted breathing and easy-to-wire terminal blocks as standard. It is available in the following HID lamp sources and wattages:

- 600, 750, 1000W High Pressure Sodium
- 1000, 1500W Metal Halide

## Applications:

The Champ FMV1000 Series is NEMA Type 4X and IP56 watertight, and its heavy-duty welded extruded aluminum housing and stainless steel hardware provide a robust design suitable for the most corrosive/marine environments.

## Features and Benefits:

- AEx nR, Ex nR restricted breathing rating is standard—a hazardous location luminaire without additional accessories or options; restricted breathing offers cooler T-numbers for increased hazardous locations suitability
- NEMA 7x6 butterfly beam floodlight pattern—wide, uniform and far reaching to provide excellent efficiency and more light where you need it
- NEMA Type 4X and IP56 construction is designed for use indoors and outdoors in marine and wet locations—with stainless steel external hardware suitable for saltwater and corrosive applications
- Easy wiring—standard terminal block with marked terminals saves time and eliminates wiring errors
- Vapor-tight sealing cable connector—standard
- Standard machining—will accept 3/4 inch NCGP or 3/4 inch Myers™ hub (Myers hub is an option). Optional metric machining will accept M20 or M25 (must be specified on order)
- Low and high ambient capability to -40°C—perfect for colder climates, 50°C workhorse in hot climates
- Heavy-duty, extruded copper-free aluminum enclosure with epoxy coating and stainless steel hardware—provides a robust design with industrial grade construction and corrosion resistance
- Precision formed aluminum reflector—superior beam control, distribution and efficiency
- High light output with a low cost of operation—cost-effectiveness in a high wattage floodlight

## Certifications & Compliances:

### NEC/CEC (NEC Ballast Gear and Socket):

- Class I, Division 2, Groups A, B, C, D
- Class I, Zone 2, AEx nR II, Group IIC
- Marine locations
- IP56
- Wet locations
- NEMA Type 4X

### IEC (IEC Ballast Gear and Socket)—pending:

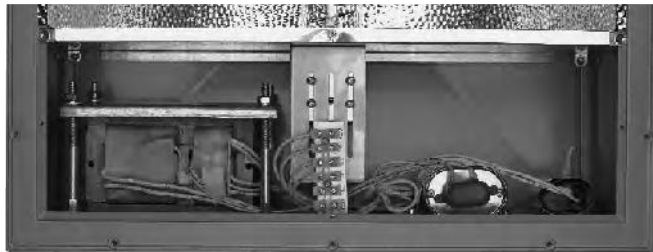
- IEC Ex Class I, Zone 2
- Ex nA nR IIC

## Standard Materials:

- Housing—extruded aluminum
- External hardware—stainless steel
- Yoke—316 stainless steel
- Lens—heat- and impact-resistant tempered glass
- Gasketing—neoprene



Restricted breathing comes standard with this NEMA Type 4X and IP56 rated floodlight.



## Industry Best for Ease of Installation:

1. Removable ballast tray
2. Prewired to terminal blocks
3. Substantial room for wiring

## Standard Finishes:

- Aluminum—Corro-Free™ epoxy powder coat
- Stainless steel—natural

## Ratings (Electrical/Size):

Sources/Wattages (Mogul Base Lamps)

- HPS—600, 750, and 1000W
- MH—1000W
- MH—1500W non-hazardous location rated

## Voltages:

### Standard Voltage Ballasts

- Multi-tap (120, 208, 240, and 277V 60Hz)
- 480V 60Hz
- Tri-tap (120, 277, 347V 60Hz)

### Optional Voltage Ballasts

- 220V or 240V 50Hz (for export)
- 220V 60Hz (for export)

### Isolated Ballasts

- 208, 240, or 480V (for Canada)

## Hub Size:

- 3/4" NPT—standard
- M20 or M25—optional
- Dual entry—NPT or metric

# Champ® FMV1000 nR High Wattage Floodlights

Cl. I, Div. 2, Groups A, B, C, D  
Cl. I, Zone 2, AEx nR II, Group IIC

Marine locations  
NEMA Type 4X and IP56  
Wet locations

**7L**

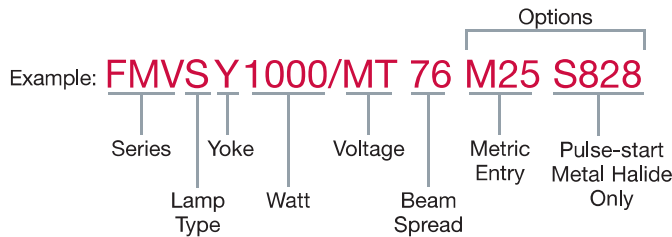
## Ordering Information for Floodlight with NEC Ballast:

| Lamp Type            | Watts | Base Catalog Number* |
|----------------------|-------|----------------------|
| High Pressure Sodium | 600   | <b>FMVSY600__76</b>  |
|                      | 750   | <b>FMVSY750__76</b>  |
|                      | 1000  | <b>FMVSY1000__76</b> |
| Metal Halide         | 1000  | <b>FMVMY1000__76</b> |
|                      | 1500  | <b>FMVMY1500__76</b> |

\*To complete catalog number, add voltage and options suffix(es).

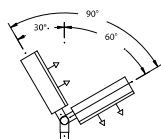
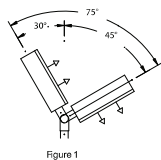
## Voltage Suffixes:

| Voltage (60Hz) | Dual-Tap | Tri-Tap | Multi-Tap | 480  |
|----------------|----------|---------|-----------|------|
| Suffix         | /DT      | /TT     | /MT       | /480 |



## Temperature Performance Data:

| Catalog Series | Lamp                 |      | 40°C Ambient     |                 |                | 50°C Ambient     |                 |                | Fixture Aiming |        |
|----------------|----------------------|------|------------------|-----------------|----------------|------------------|-----------------|----------------|----------------|--------|
|                |                      |      | Temperature Code |                 |                | Temperature Code |                 |                | Range          | Figure |
|                |                      |      | Class I, Zone 2  | Class I, Div. 2 | Supply Wire °C | Class I, Zone 2  | Class I, Div. 2 | Supply Wire °C |                |        |
| FMVS           | High Pressure Sodium | 600  | T3               | T1              | 90             | TS               | T1              | 105            | 90°            | 2      |
|                | Pressure Sodium      | 750  | T3               | T1              | 90             | T3               | T1              | 105            | 90°            | 2      |
|                | 1000                 | T3   | T1               | 90              | T3             | T1               | 105             | 90°            | 2              |        |
| FMVM           | Metal Halide         | 1000 | T3               | T1              | 90             | T3               | T1              | 105            | 90°            | 2      |
|                | Pulse-Start          | 750  | T3               | T1              | 90             | -                | -               | -              | 75°            | 1      |
|                | 750                  | T3   | T1               | 90              | -              | -                | -               | 90°            | 2              |        |
|                | Metal Halide         | 1000 | T3               | T1              | 90             | T3               | T1              | 105            | 75°            | 1      |
|                | Halide               | 1000 | T3               | T1              | 90             | -                | -               | -              | 90°            | 2      |



## Accessories (Order Separately):

- Slipfitter adapter:** To be mounted to yoke mount fixture; fits onto 2" pipe/conduit..... **SFA6**
- Wall bracket:** Use with slipfitter adapter SFA6 for easy wall mounting and increased adjustability..... **SWB6**
- Photocell in DS cover for use with FS/FD box:**
- 120V, 50/60Hz..... **D2S20**
- 208-277, 50/60Hz..... **D2S208 277**

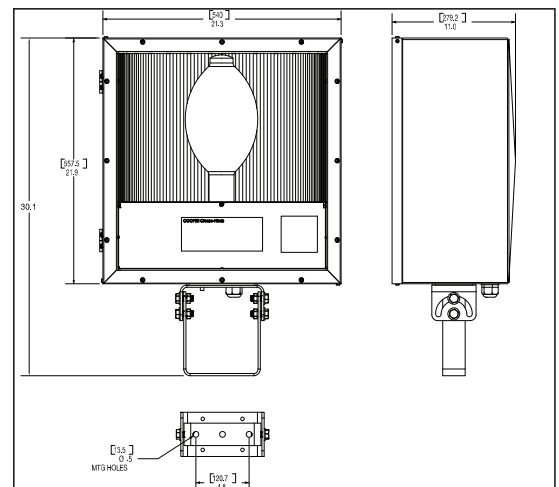
## Options:

| Description  | Suffix       |
|--|--------------|
| 20mm metric thread for conduit opening.....          | <b>M20</b>   |
| 25mm metric thread for conduit opening.....          | <b>M25</b>   |
| 3/4" NPT hub conduit opening.....                    | <b>NPT75</b> |
| Pulse-start metal halide only.....                   | <b>S828</b>  |
| Retention chain.....                                 | <b>S831</b>  |
| Enclosure machined for 2 conduit/cable entries.....  | <b>S886</b>  |
| Factory assembled, lamp installed in lampholder..... | <b>FA</b>    |

## Weights and Dimensions:

### Net Fixture Weights (Lbs.):

| Fixture Series | Weight (Lbs.) |
|----------------|---------------|
| FMVSY600       | 78            |
| FMVSY750       | 76            |
| FMVSY1000      | 83            |
| FMVMY1000      | 76            |
| FMVMY1500      | 84            |



**Effective Projected Area (EPA):**

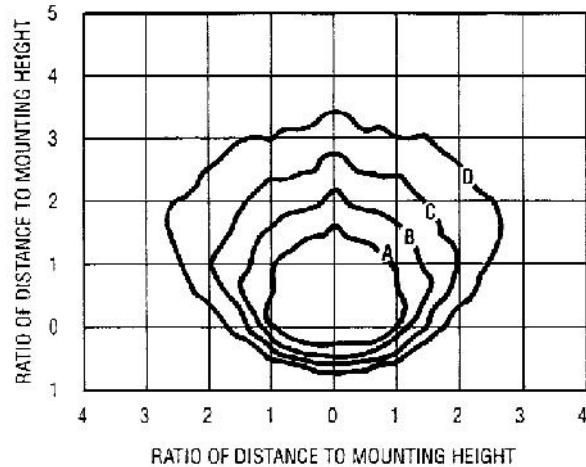
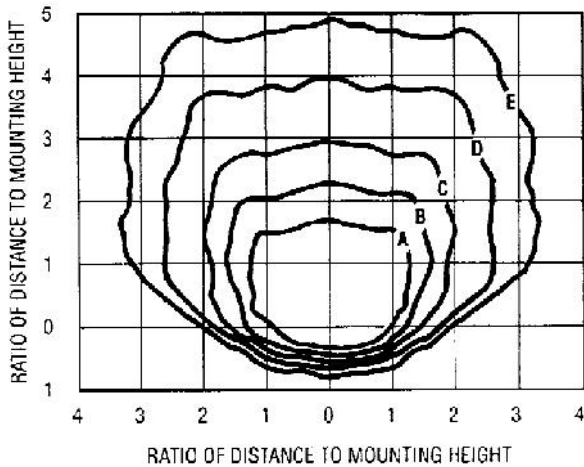
- For windloading
- For proper pole selection

| Aiming Angle | EPA                 |
|--------------|---------------------|
| 0°           | 3.5 FT <sup>2</sup> |
| 30°          | 3.6 FT <sup>2</sup> |
| 60°          | 2.9 FT <sup>2</sup> |

**Photometric Data:**

**ISO Footcandle Chart FMV**  
1000W High Pressure Sodium (HPS)  
Catalog Number: FMVSY1000-76  
Lamp: 1000W Clear HPS  
Lumen Rating: 140,000  
Fixture located at 0°, 0° aiming angle at 45°  
(Note: See Figures 1 and 2).

**ISO Footcandle Chart FMV**  
1000W Metal Halide (MH)  
Catalog Number: FMVMY1000-76  
Lamp: 1000W Clear MH  
Lumen Rating: 110,000  
For 1500W MH, multiply footcandles by 1.4  
Fixture located at 0°, 0° aiming angle at 45°  
(Note: See Figures 1 and 2).



7L

**Lamp Selection (Mogul Base):**

| Fixture   | Watts Type | Bulb | G.E.             | Osram | Philips       |
|-----------|------------|------|------------------|-------|---------------|
| FMVSY600  | 600 HPS    | T15  | LU600/T          | —     | C600S106      |
| FMVSY750  | 750 HPS    | ED37 | LU750            | —     | —             |
| FMVSY1000 | 1000 HPS   | E25  | LU1000           | —     | C1000S52/ED37 |
| FMVMY750  | 750 MH     | ED37 | MVR750/VBU/PA    | —     | —             |
| FMVMY1000 | 1000 MH    | BT56 | MVR1000/U        | —     | MH1000/U      |
| FMVMY1500 | 1500 MH    | BT56 | MVR1500/U/SPORTS | —     | MH1500/U      |