

F2MV is a compact floodlight consisting of a Corro-Free™ epoxy coated copper-free aluminum enclosure, with stainless steel external hardware and impact-resistant glass. It is available for use with the following energy-saving mogul base HID lamp types and wattages:

- High Pressure Sodium (HPS)—50, 70, 100, and 150W
- Metal Halide (MH)—70, 100, and 175W

Applications:

Available in a variety of voltage ratings, this compact floodlight is suitable for marine and wet locations.

Features and Benefits:

- Small, compact size—easy to install and maintain
- 40°C, 55°C, and 65°C ambient suitability—addresses high ambients common in industrial facilities
- Low ambient capability to -40°C—perfect for colder climates
- Heavy-duty, copper-free aluminum enclosure with epoxy coating and stainless steel hardware—provides a robust design with industrial grade construction and corrosion resistance
- Continuous silicone gasketing—ensures wet and marine locations integrity
- Stainless steel tether chain and captive cover screws—secure cover to housing ensures ease of maintenance
- Trunnion (yoke) mount design—standard construction provides the greatest mounting flexibility, can be mounted vertically (wall), horizontally (rooftop or floor), or any angle in between
- Requires only two bolts to mount—simplifies installation
- Heat- and impact-resistant tempered glass lens—provides exceptional stability
- Shock-absorbing mogul base lamp socket—cushions lamp, improves lamp life in harsh environments
- 3-axis resonance withstand and UL844 vibration compliant—stands up to the tough jobs
- Precision formed aluminum reflector—superior beam control, distribution and efficiency
- NEMA 7x6 floodlight pattern with lamp orientation base down—the ideal light distribution for industrial applications
- Multi-tap ballasts—offering a choice of 120, 208, 240, and 277V; 220V, 50Hz; 240V 50Hz; Tri-Tap (120, 277, and 347) and 480V ballasts are also available
- High light output with a low cost of operation—a cost-effective, high wattage floodlight
- For use with SFA6 slipfitter adapter and SWB6 wall mount bracket accessories—further enhances mounting flexibility
- Restricted breathing compliance—cooler T-numbers for increased hazardous locations suitability

Standard Materials:

- Enclosure (housing and lens cover)—copper-free aluminum
- Cover chain and external hardware—stainless steel
- Lens—heat- and impact-resistant glass
- Gaskets—silicone rubber
- Yoke—copper-free aluminum
- Reflector—diffused aluminum lighting sheet

Standard Finishes:

- Enclosure and yoke—Corro-Free™ epoxy powder coat
- Stainless steel—natural



Certifications & Compliances:

NEC/CEC:

- Class I, Division 2, Groups A, B, C, D
- Marine locations
- NEMA Type 4X
- Wet locations

IEC/NEC/CEC:

- Class I, Zone 2, Group IIC
- With suffix—S826 and S826TB—restricted breathing (Ex nR) option
- Class I, Zone 2
- Class I, Division 2

UL Standards:

- 844—Hazardous (Divisions Classified) Locations
- 2279—Hazardous (Zones Classified) Locations
- 1572—Ordinary and Wet Locations, Marine Outside Type

CSA Standards:

- C22.2 No. 137
- CAN/CSA-E79 Series

IEC Standards:

- 60079-15

Ratings (Electrical/Size):

Sources/Wattages (Mogul Base Lamps)

- HPS—50, 70, 100, and 150W
- MH—70, 100, and 175W

Voltages:

Standard Voltage Ballasts

- Multi-tap (120, 208, 240, and 277V 60Hz)
- Dual-tap (120, 277V 60Hz)—50W HPS only
- 480V 60Hz
- Tri-tap (120, 277, 347V 60Hz)

Optional Voltage Ballasts (Consult Cooper Crouse-Hinds)

- 220V or 240V 50Hz (for export)
- 220V 60Hz (for export)

Isolated Ballasts (Consult Cooper Crouse-Hinds)

- 208, 240, or 480V (for Canada)

Hub Size:

- Standard—(2) 3/4" NPT
- Optional—(2) 25 mm (M25 x 1.5) or (2) 20 mm (M20 x 1.5)

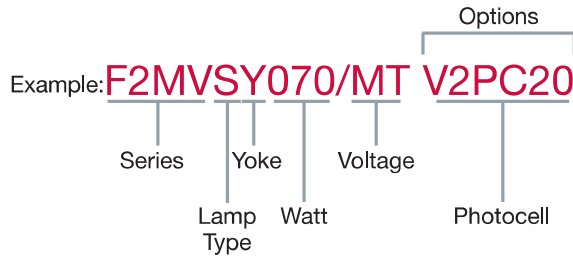
Ordering Information:

Lamp Type	Watts	Base Catalog Number*	
		3/4" NPT Hub	25mm Hub†
High Pressure Sodium	50	F2MVSY050	F2MVS25Y050
	70	F2MVSY070	F2MVS25Y070
	100	F2MVSY100	F2MVS25Y100
	150	F2MVSY150	F2MVS25Y150
Metal Halide	70	F2MVMY070	F2MVM25Y070
	100	F2MVMY100	F2MVM25Y100
	175	F2MVMY175	F2MVM25Y175

* To complete catalog number, add voltage and options suffix(es).
†For 20mm metric threads, change 25 to 20 in catalog number. Example: F2MVS20Y050/MT.

Voltage Suffixes:

Voltage (60Hz)	Dual-Tap	Tri-Tap	Multi-Tap	480
Suffix	/DT	/TT	/MT	/480



Options:

Description	Suffix
Instant Restrike and Ballast Guard	
Instant Restrike—enables a hot HPS lamp to immediately restrike after a momentary loss of arc due to voltage fluctuation or power outage	
Ballast guard starter cut out switch—prevents starter pulsing when lamp is cycling or inoperative; prolongs ballast and ignitor life	
• 150W LX HPS only.....	TIR
Factory assembled with HID lamp installed.....	FA
Fused (not suitable for marine applications).....	S658
Furnished with lamps (not installed).....	S714
Pulse-start metal halide only.....	S828
Photocell 120V, 50/60Hz installed.....	V2PC20
Photocell 208-240V, 50/60Hz installed.....	V2PC22
Photocell 277V, 50/60Hz installed.....	V2PC27

Photometrics are available online.

Temperature Performance Data:

Catalog Series	Lamp		40°C Ambient			55°C Ambient			65°C Ambient			Fixture Aiming	
			Temperature Code			Temperature Code			Temperature Code				
	Type	Watts	Class I, Zone 2	Class I, Div. 2	Supply Wire °C	Class I, Zone 2*	Class I, Div. 2	Supply Wire °C	Class I, Zone 2*	Class I, Div. 2	Supply Wire °C	Range	Figure
F2MVS	High	50	T6	T3C	75	T6	T3C	75	T3B	T5	75	90°	1
	Pressure	70	T6	T3A	60	T5	T3A	75	T3	T4	85	90°	1
	Sodium	100	T4	T2D	75	T4	T2C	90	-	-	-	90°	1
		150**	T4	T2A	75	T4	T2A	85	T3	T2A	110	90°	1
F2MVM	Metal	70	T6	T3C	75	T5	T3A	75	T4	T3A	85	90°	1
	Halide	100	T4	T2D	75	T4	T2D	75	T4	T2C	85	90°	1
		175**	T3	T2A	75	T3	T2A	85	T3	T2A	110	90°	1

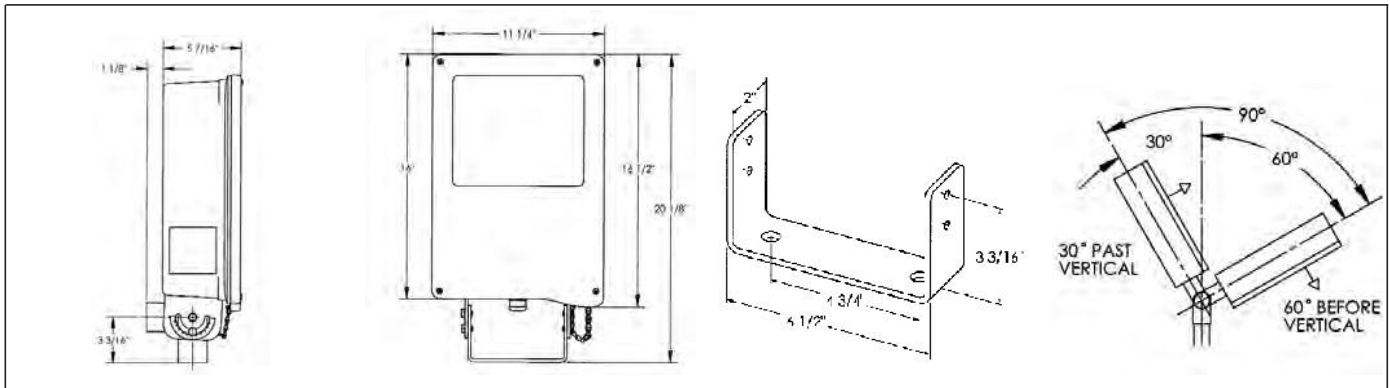
*Restricted breathing explosion protection, requires suffix S826 (TB).
**Suitable for use in 65°C ambient without optional fuses.

Lamp Selection (Mogul Base):

Fixture	Watts Type	Bulb	G.E.	Osram	Philips	Venture
F2MVSY050	50 HPS	ED23 1/2 or ET23 1/2	LU50	LU50	C50S68	-
F2MVSY070	70 HPS	ED23 1/2 or ET23 1/2	LU70	LU70	C70S62	-
F2MVSY100	100 HPS	ED23 1/2 or ET23 1/2	LU100	LU100	C100S54	-
F2MVSY150	150 HPS	ED23 1/2 or ET23 1/2	LU150/55	LU150/55	C150S55	-
F2MVMY070	70 MH	ED28	-	-	-	MH70W/U/ED28
F2MVMY100	100 MH	ED28	-	-	-	MH100/U/ED28
F2MVMY175	175 MH	ED28 or BT28	MVR175/C/U	M175/C/U	MH175/C/U	MH175/C/U

Weights and Dimensions:

Fixture Weight: 26 lbs.



Photometrics are available online.